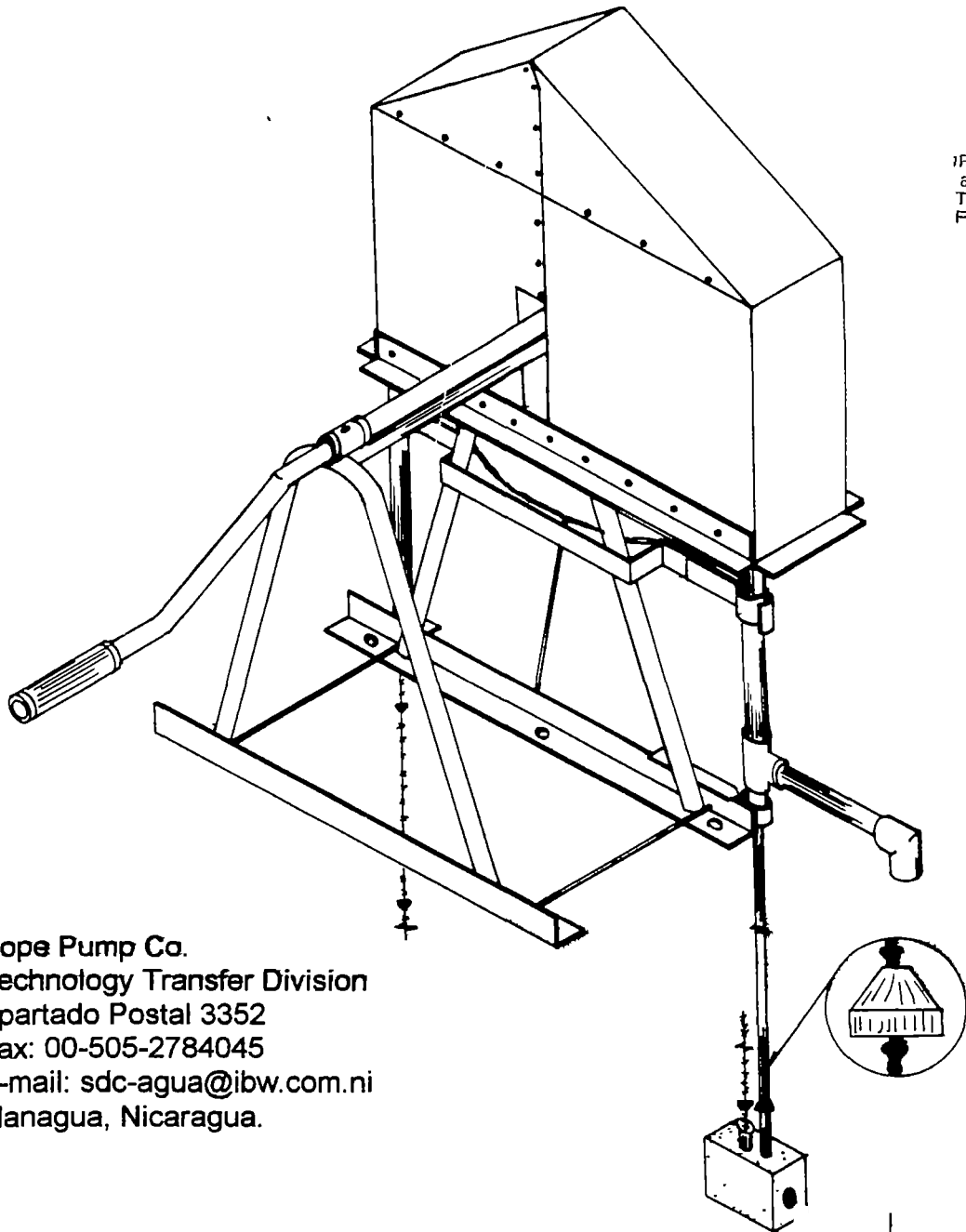


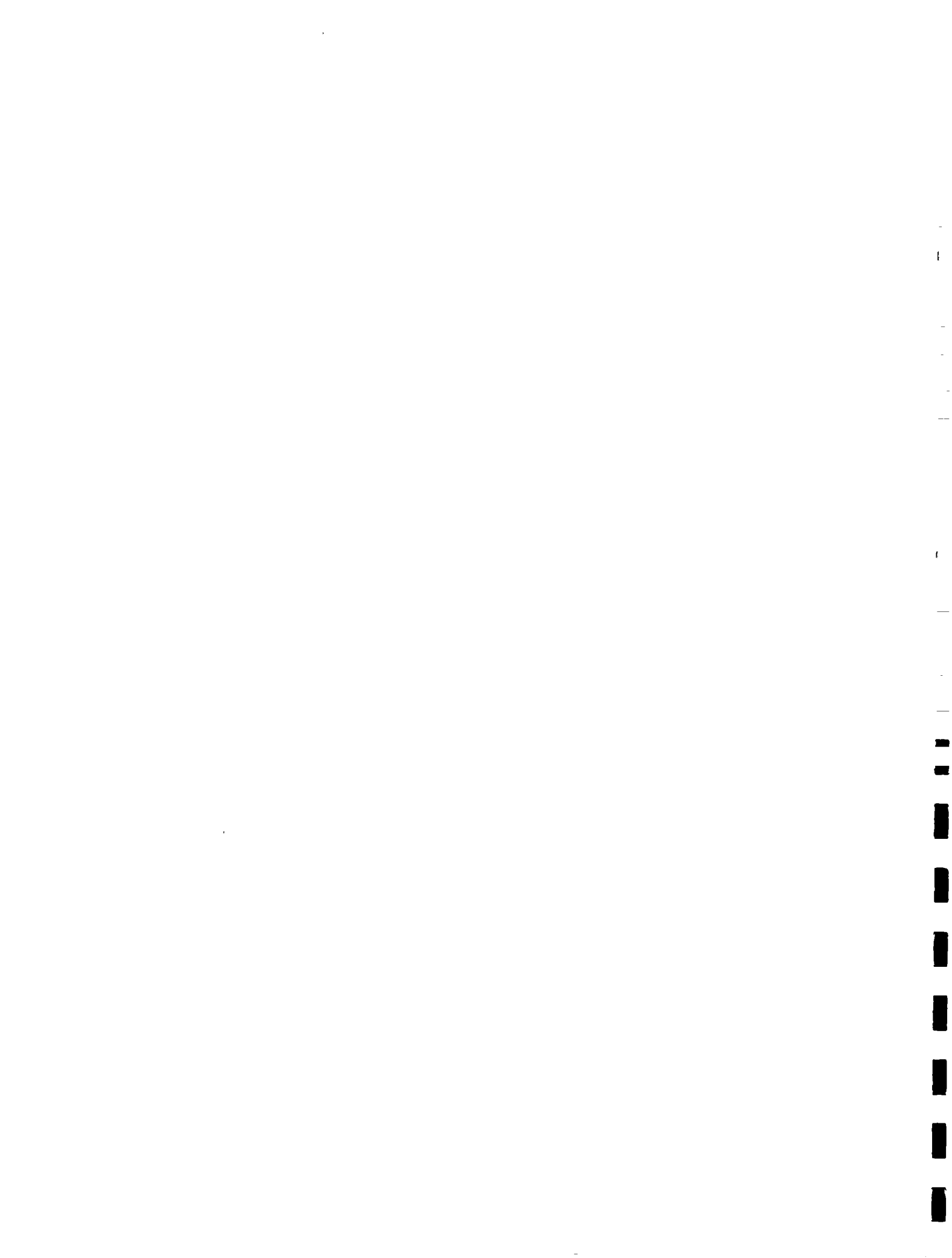
COMMUNITY WELL ROPE PUMP

MANUAL OF TECHNICAL DRAWINGS



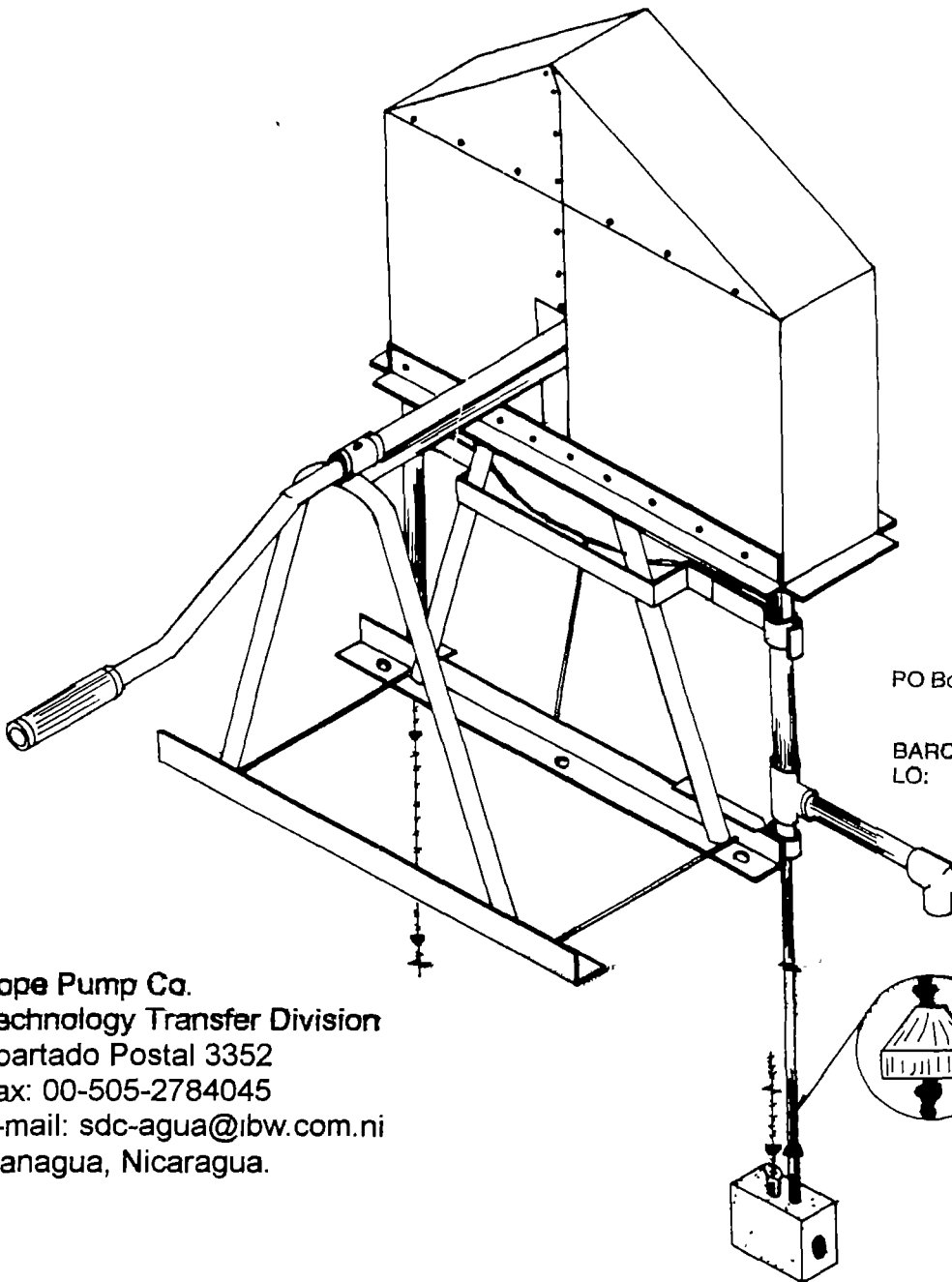
Library
IRC International Water
and Sanitation Centre
Tel: +31 70 30 689 80
Fax: +31 70 35 899 64

Rope Pump Co.
Technology Transfer Division
Apartado Postal 3352
Fax: 00-505-2784045
E-mail: sdc-agua@ibw.com.ni
Managua, Nicaragua.



COMMUNITY WELL ROPE PUMP

MANUAL OF TECHNICAL DRAWINGS



LIBRARY IRC
PO Box 93190, 2509 AD THE HAGUE
Tel.: +31 70 30 689 80
Fax: +31 70 35 899 64

BARCODE: 14981

LO:

232.2 9700 (FORDER)

Rope Pump Co.
Technology Transfer Division
Apartado Postal 3352
Fax: 00-505-2784045
E-mail: sdc-agua@ibw.com.ni
Managua, Nicaragua.



MANUAL OF TECHNICAL DRAWINGS

COMMUNITY WELL ROPE PUMP

CONTENTS

- I- PRESENTATION
- II - EQUIPMENT CHARACTERISTICS
- III.- PUMPING CAPACITY
- A- PISTONS AND ROPE
- B1- GUIDE BOX INTERNAL PIECE
- B2- GUIDE BOX
- C- WHEEL STRUCTURE
 - C.a CRANK PRODUCTION
 - C b LEG ASSEMBLY
 - C.c LEG REINFORCEMENT
 - C.d ANGLE IRONS
 - C.e PULLEY WHEEL HUB
 - C.f BRAKE SYSTEM
 - C.g UPPER AND LOWER SUPPORTS
 - C h COVER FRAME
 - C.i WHEEL COVER
- D- INSTALLATION ACCESSORIES



I.- PRESENTATION

This manual of technical drawings is part of the rope pump technology transference programme. It has as its goal to show in a clear and detailed manner the essentials of each component of this useful hand pump.

In addition to the current manual, the programme prepared manuals of the family well rope pump and the extra-strong rope pump. Their respective front page is shown in the back of this manual.

Each component is presented here with its corresponding measures, a list of all the necessary production materials, and complementary technical information.

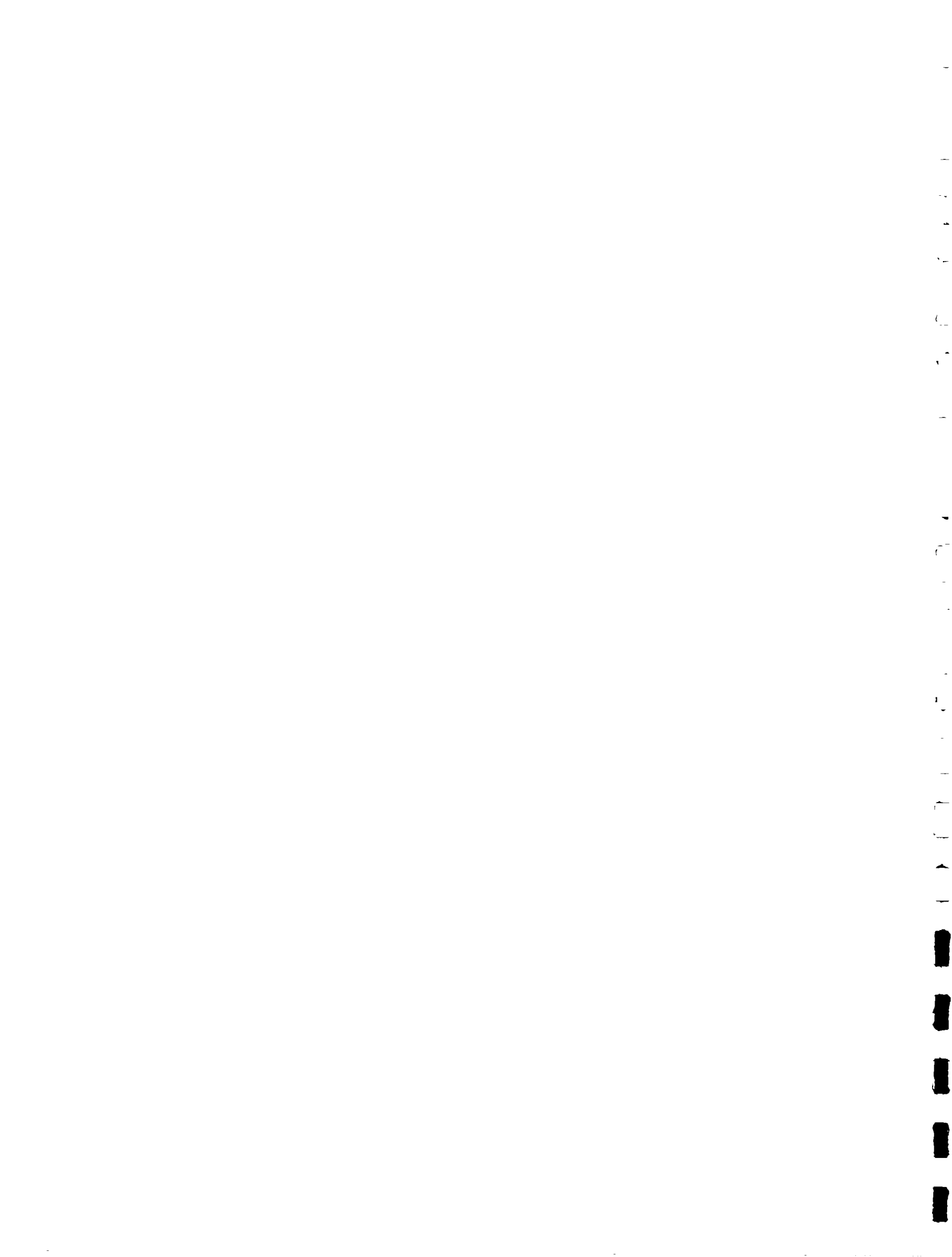
In March 1996, the Governments of Nicaragua and Switzerland - through COSUDE - signed a new three-year bilateral cooperation agreement by which the INAA-COSUDE programme activities are to continue for the 1996-1998 period. Within the framework of this agreement, the transference of rope pump technology seeks to promote rope pump production at the regional and international levels. The Technology Transfer Division of the Rope Pump Company will be in charge of carrying out the aforementioned production activities. The Division is provided technical consultancy services through the Dutch Ecumenic Development Cooperation Organization known as "Servicio Ultramar" ("Overseas Services") or DOG (for "Dienst Over de Grenzen").

This is an easy-to-understand document and is aimed at future producers, cooperation organizations working in the field of water and sanitation, and other persons interested in the rope pump technology.

Together with the rope pump production photomanual and the document "Experiences and Tolerances", this manual provides all the information necessary to carry out technology transference activities at the international level.

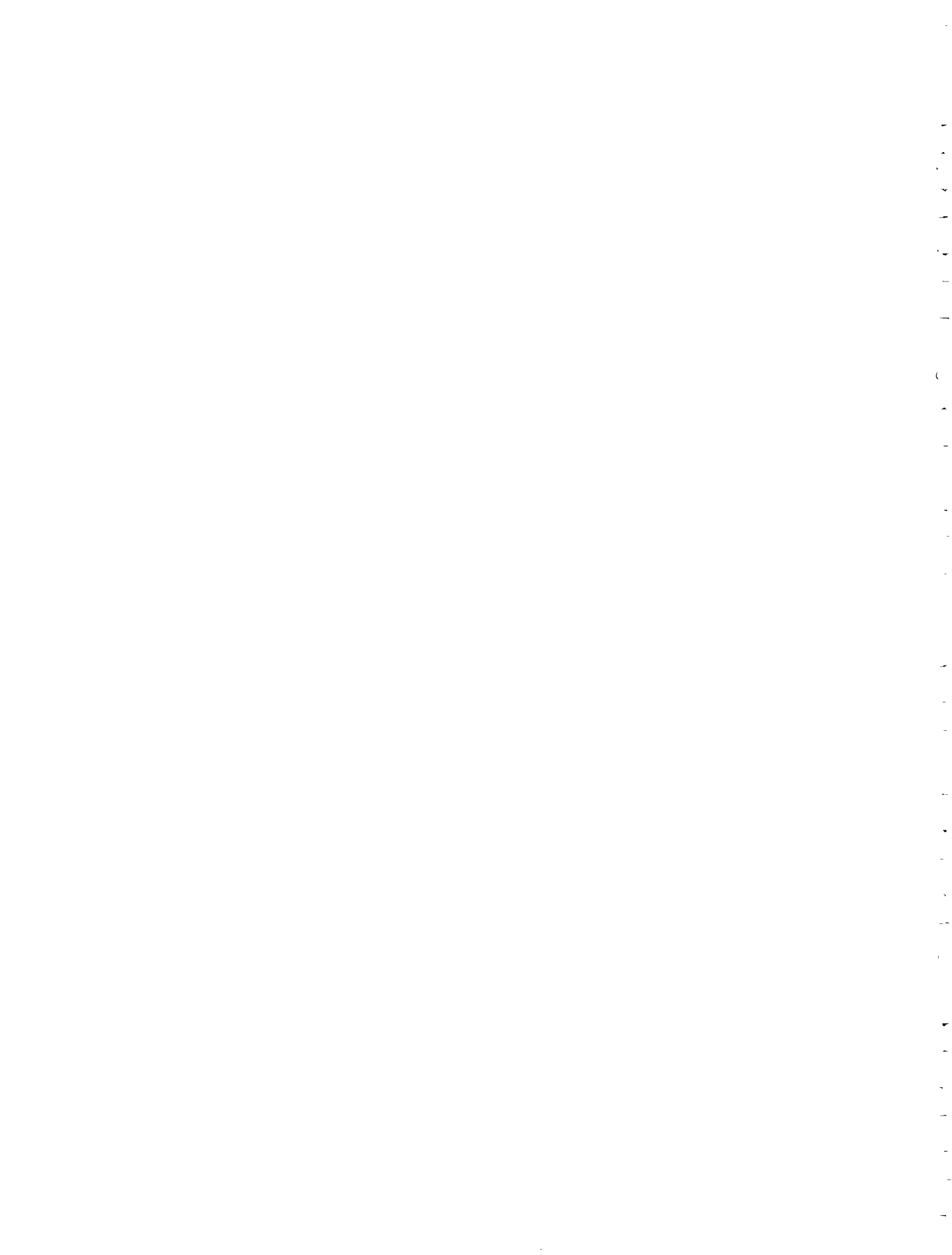
This Manual has been prepared by the Technology Transfer Division of the Rope Pump Company. It can be freely reproduced.

Los Cedros, Province of Managua, Nicaragua. 4 August 1997.



II.- EQUIPMENT CHARACTERISTICS

- Appropriate technology equipment effective at a depth of 50 meters.
- Produced with accessible materials.
- Maintenance and repair do not require expertise and complex tools.
- Easy to handle.
- Easy to install.
- Its relatively low cost makes it accesible to the rural population.
- Preserves the quality of the water and the population's health.



III.- PUMPING CAPACITY

PUMPING CAPACITY

Depth (meters)	Adults (Liters/min)	Children (Liters/min)	Time needed for an adult to fill a barrel (min)
5	70	39	3
10	41	19	5
15	27	13	8
20	20	10	10
25	16	8	13
30	14	6.5	15
35	12	5.5	18
40	10	4.8	20



A- PISTONS AND ROPE

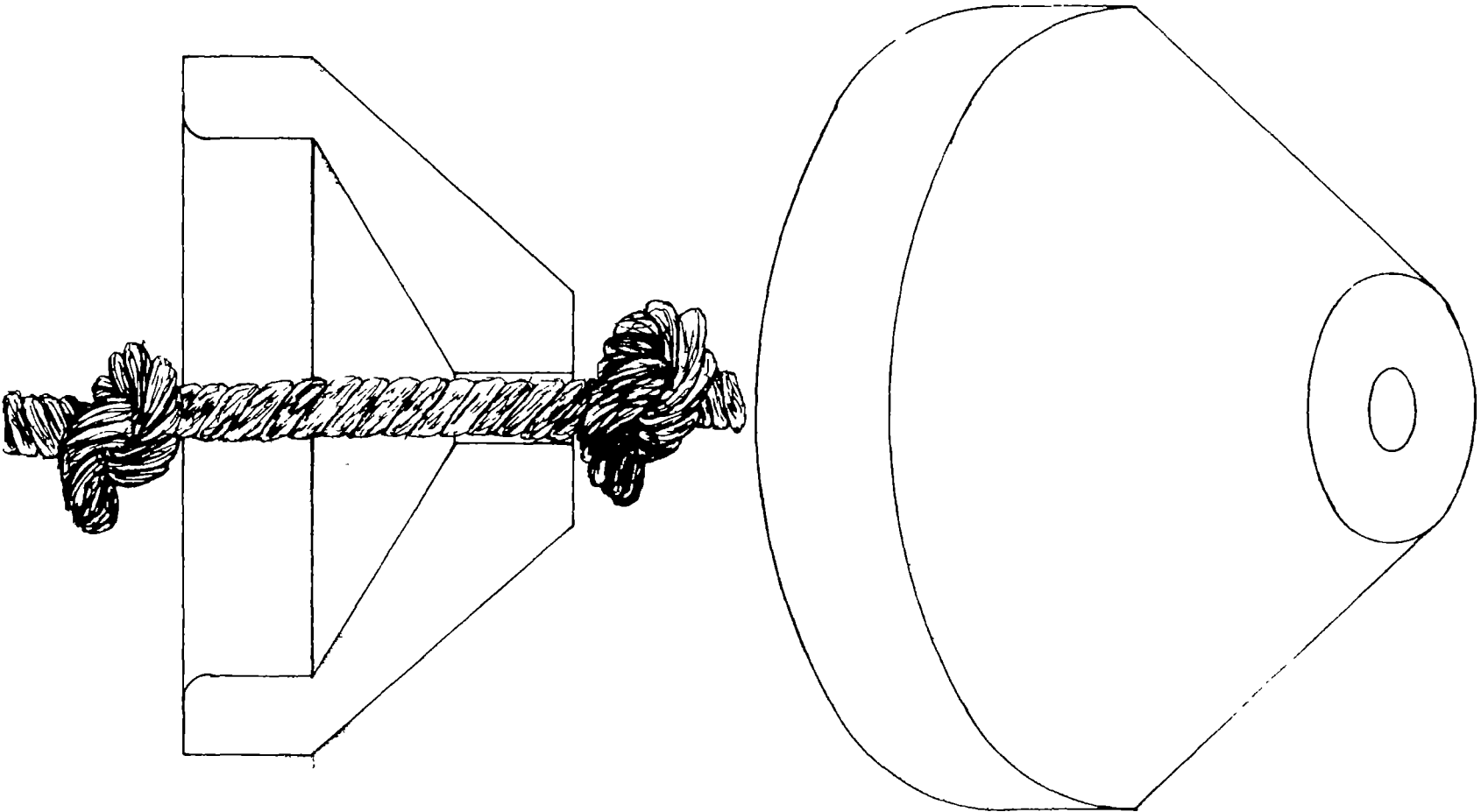
- Piston diameter is determined by the type of pipe to be used and the well's depth. Pistons should be made of injected polypropylene or polyethylene. Neither rubber nor wood are recommended.
- Five different piston sizes are used.
- The rope's length, diameter and amount of pistons are determined by the well's depth.

Length and diameter variations for both the pistons and the rope

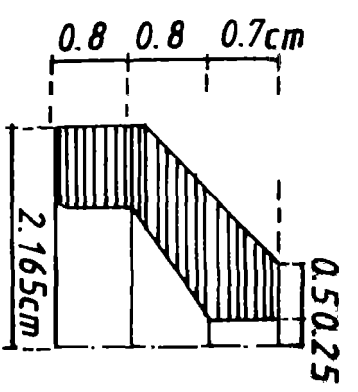
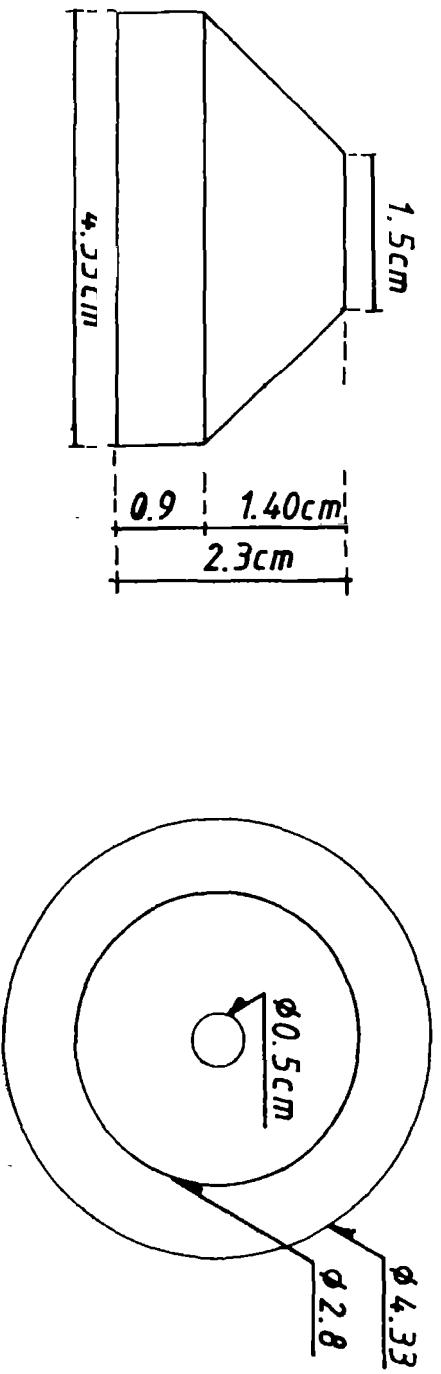
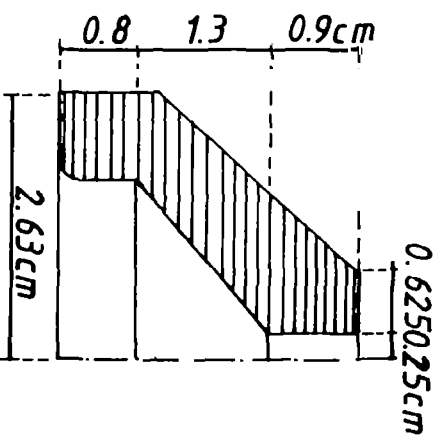
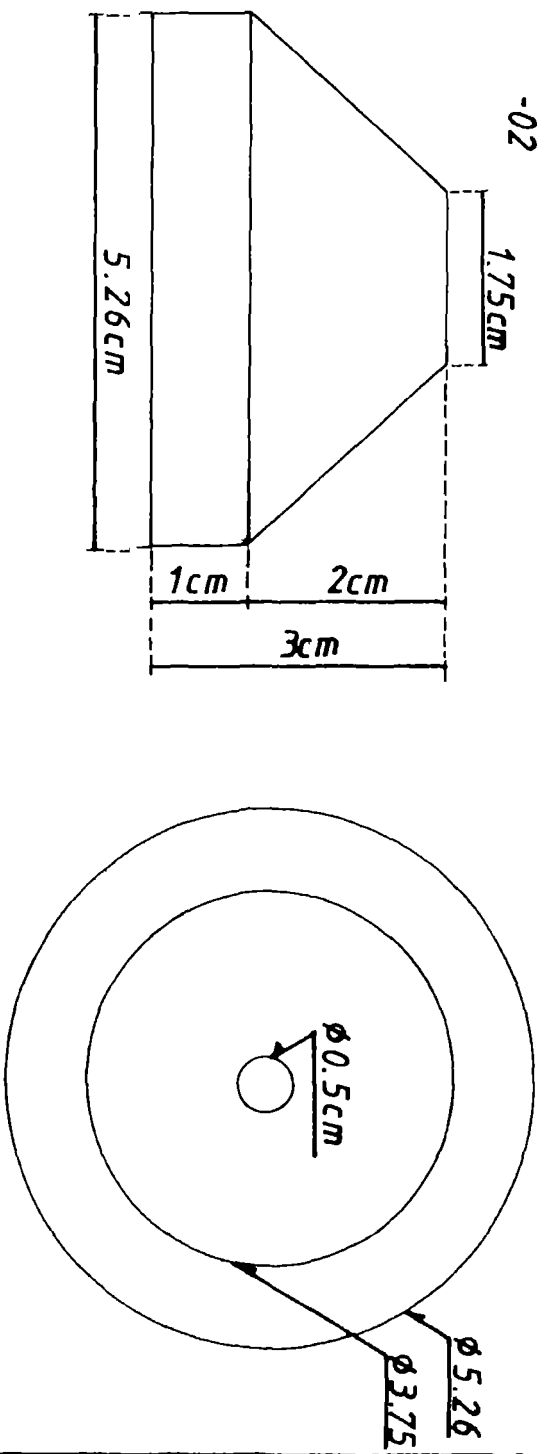
		Depth (meters)			
Component part	Unit	0 - 11	11 - 19	19 - 29	29 - 40
Piston nominal diameter	inches	1	3/4	1/2	1/2
Rope length	Meters	27	43	63	85
Rope diameter	inches	1/8	1/8	1/8	1/4
Amount of pistons	unit	26	42	62	84

- Two inch (0 - 3.5 meters) and 1 1/2" inch (3.5 - 5 meters) pistons are used in wells which are not too deep or when motor pumps are used.
- Deep wells (37 - 50 meters) use 1/2" inch pistons with Rim # 16, a double crank system, and wooden bearings. These pumps are installed as on drilled wells in order to increase the contact between the pulley wheel and the rope.

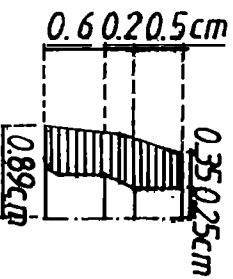
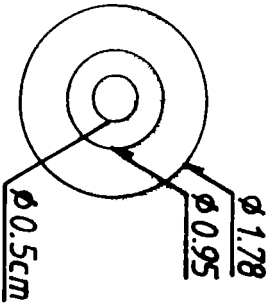
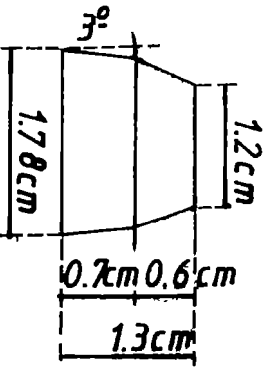
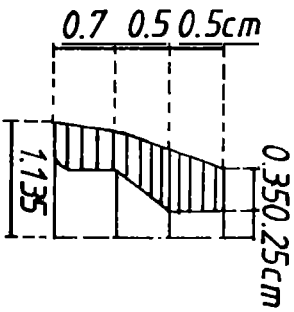
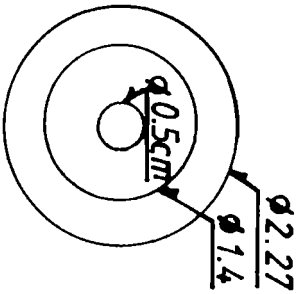
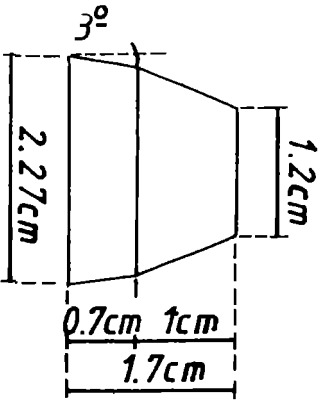
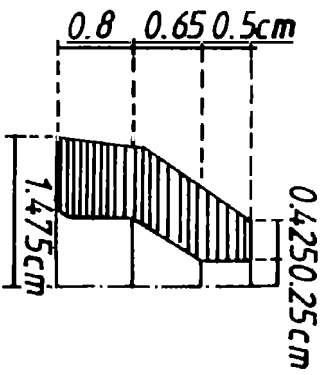
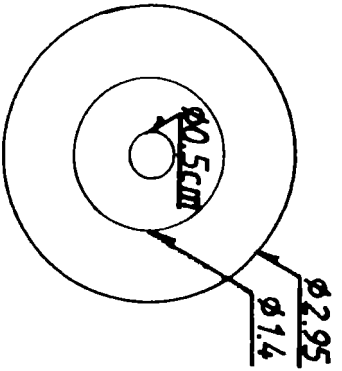
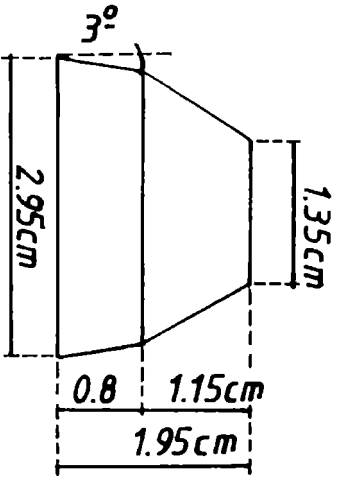














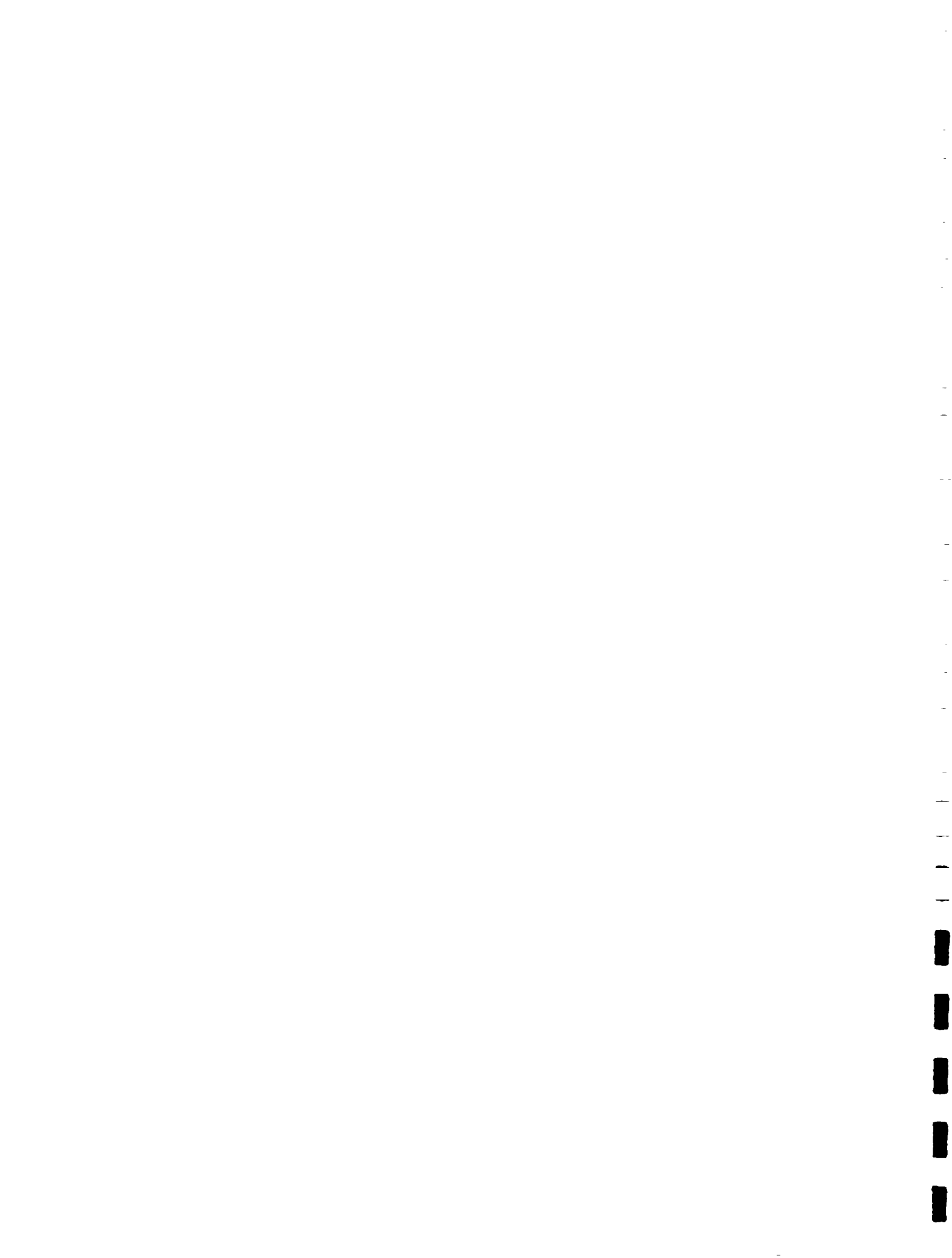
B.1. GUIDE BOX INTERNAL PIECE

- The guide box internal piece is made up of five components:
- The entrance pipe, pumping pipe and protector are made of PVC pipe. Diameter is determined by well depth.
- The ceramic piece and the base part do not vary regardless of well depth.

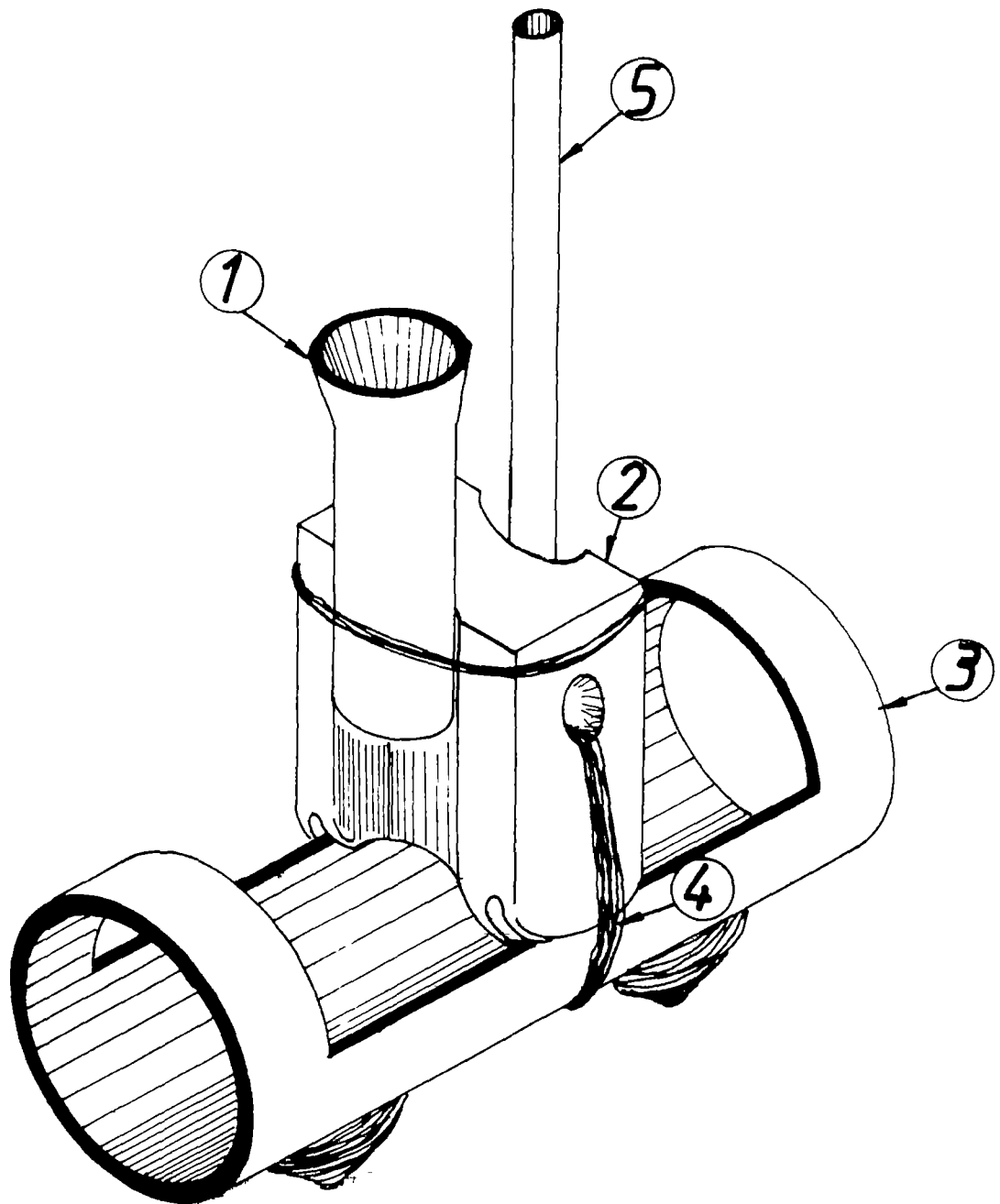
Measurement variations for the guide box internal piece

Drawing No	Component	Unit	Depth (meters)		
			0 -11	11 - 19	19 - 50
2	Ceramic piece	-	-	-	-
3	Base diameter	Inches	2	2	2
1	Entrance pipe diameter	Inches	1 ½	1	1
4	Pumping pipe diameter	Inches	1	¾	½
-	Diam. of pumping pipe protector	Inches	1	¾	½

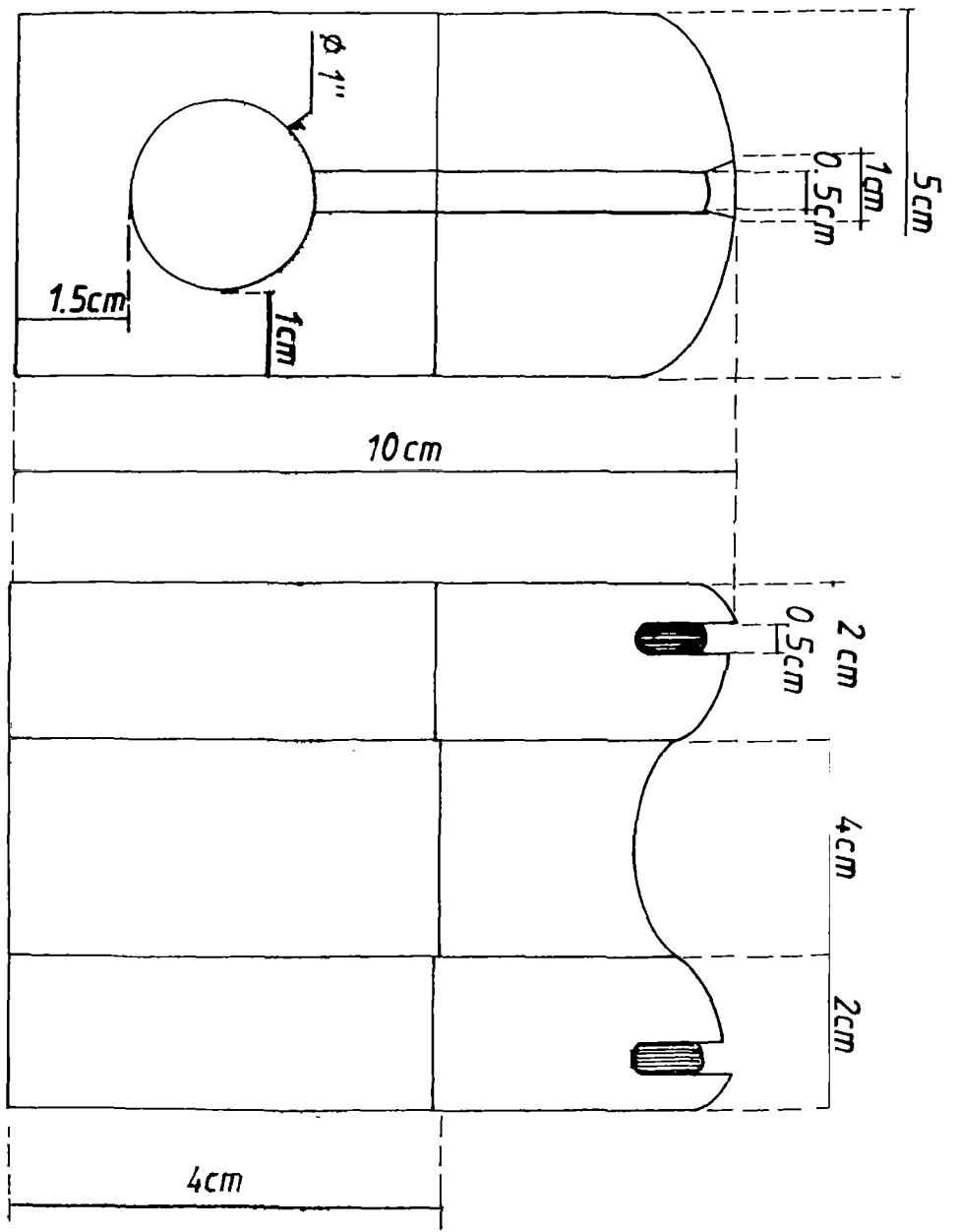
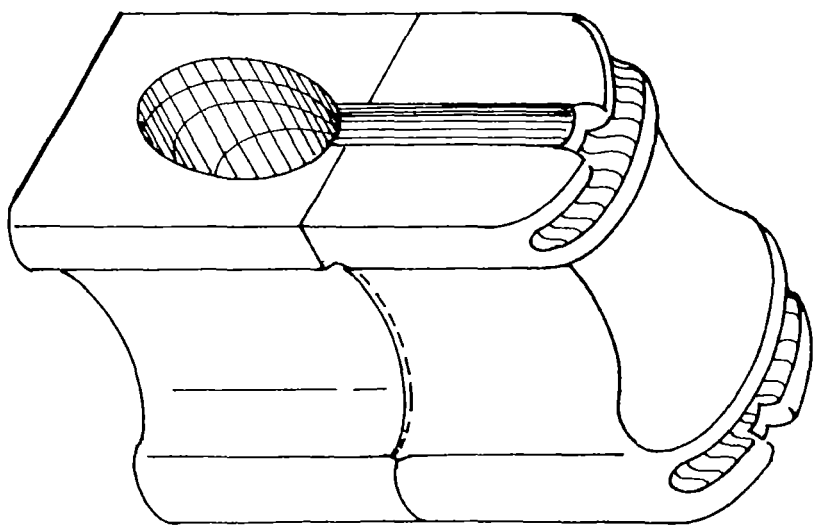
- PVC pipes may vary in diameter depending on the manufacturer. However, it is recommended that they correspond in diameter to the pistons' nominal diameter. This prevents water leaks and increases pumping efficiency.
- The ceramic piece may be replaced by an electric insulator or a bottle, provided that the rope does not wear away.



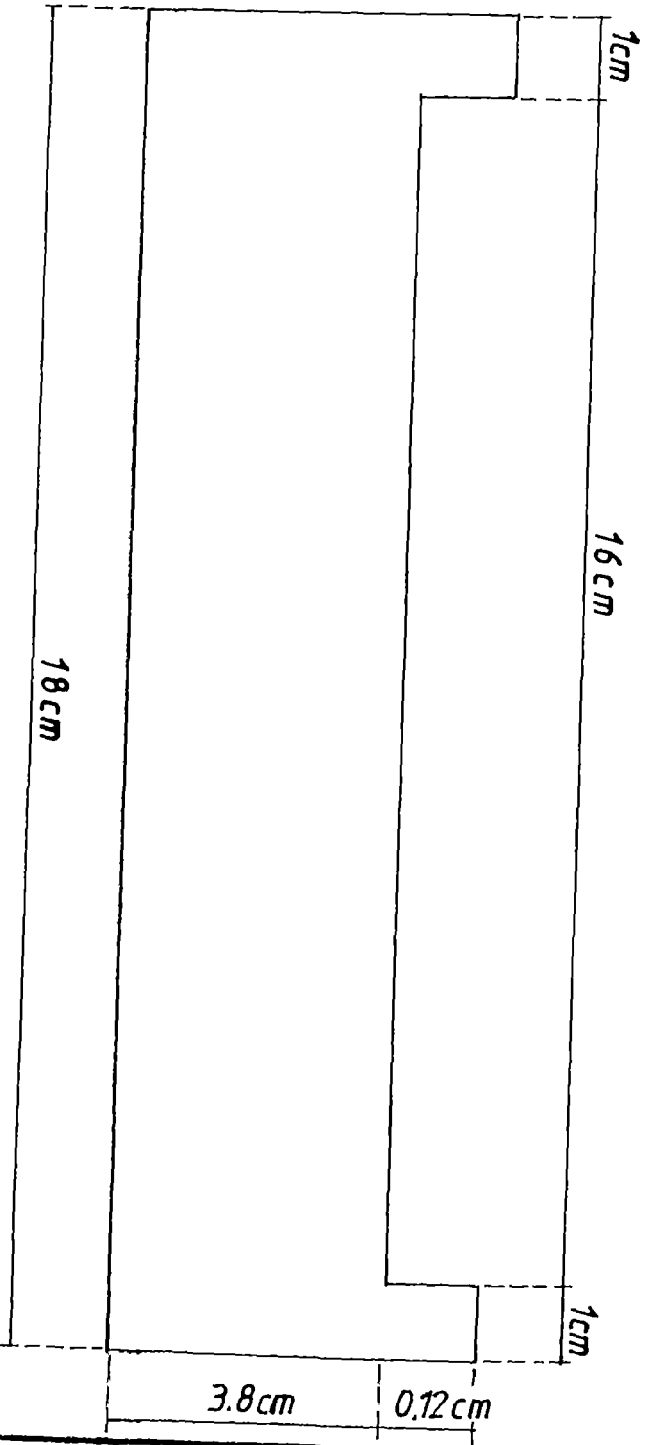
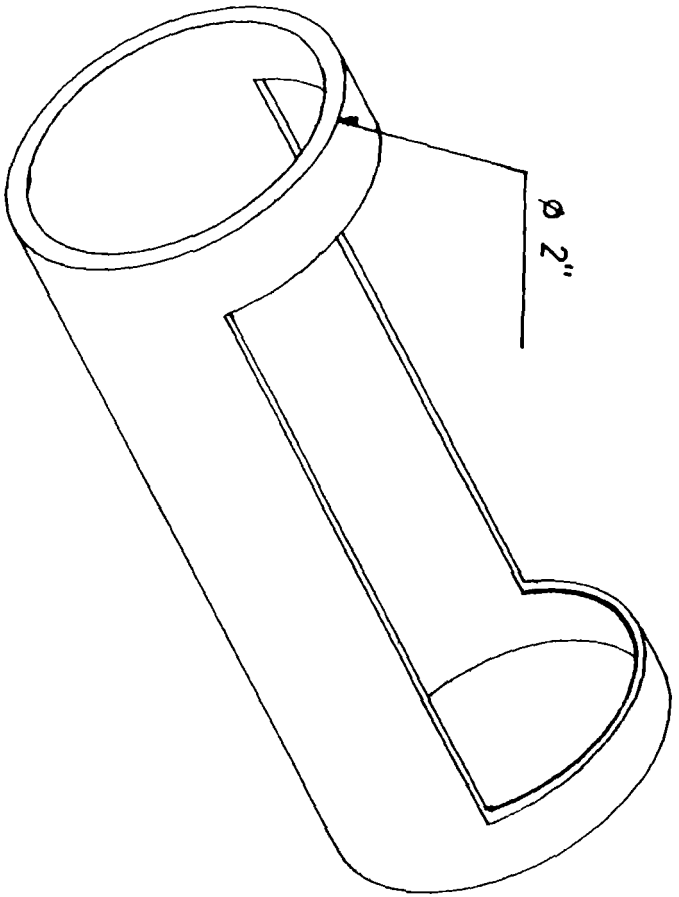
B₁-01





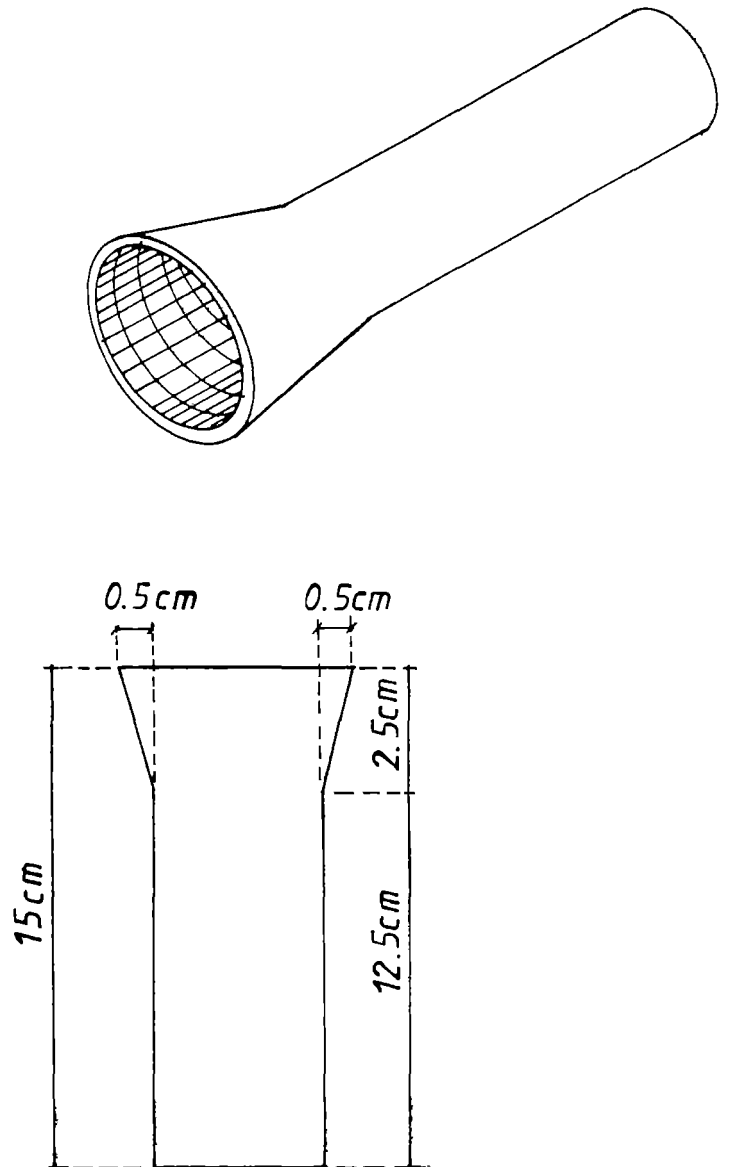
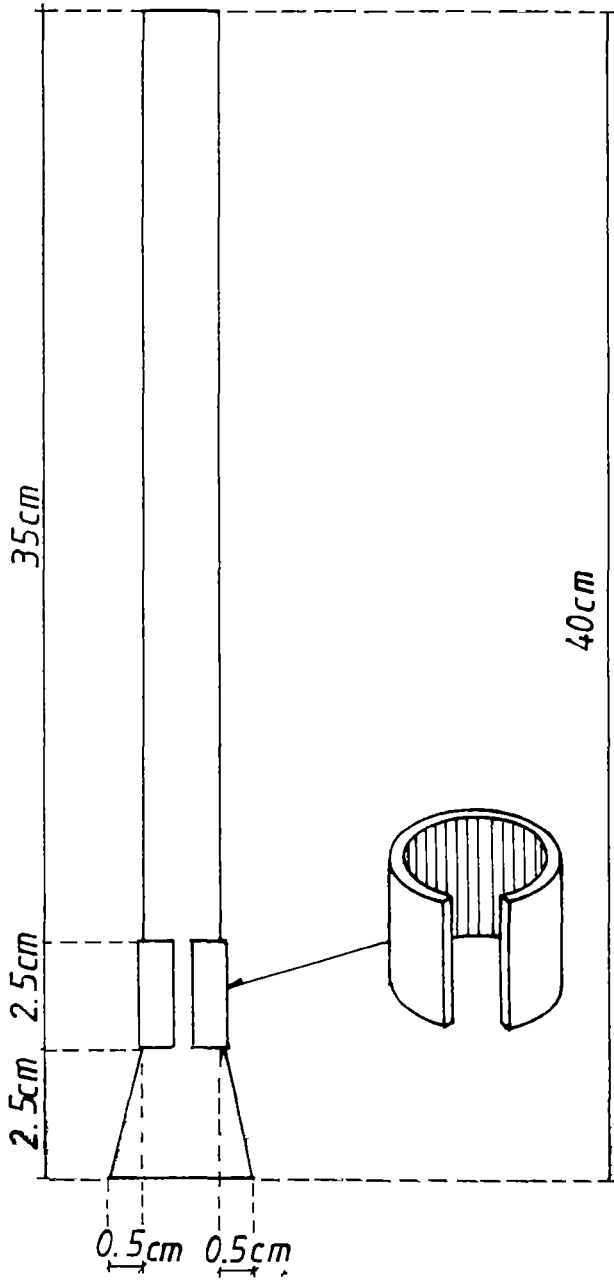








B₇-04

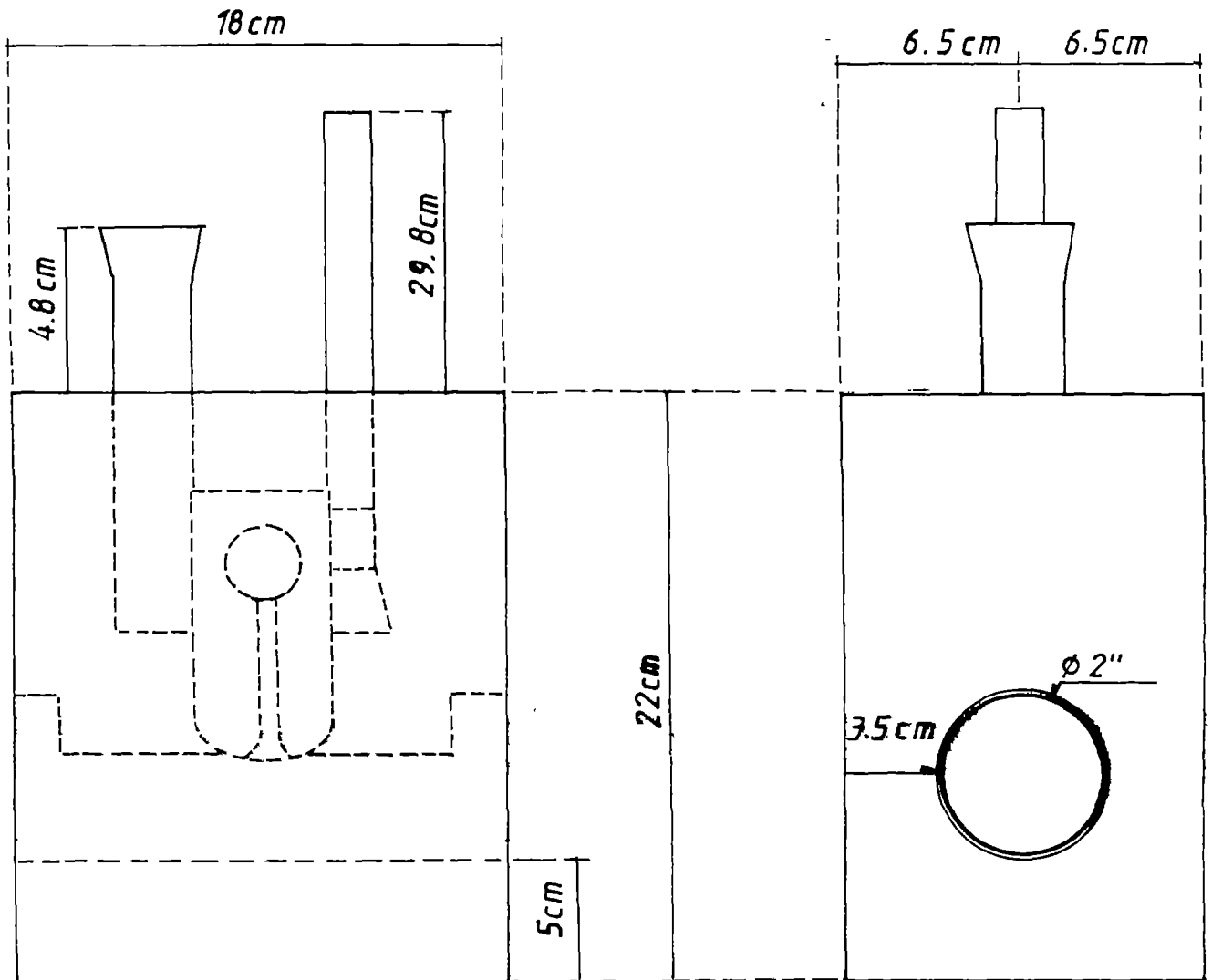
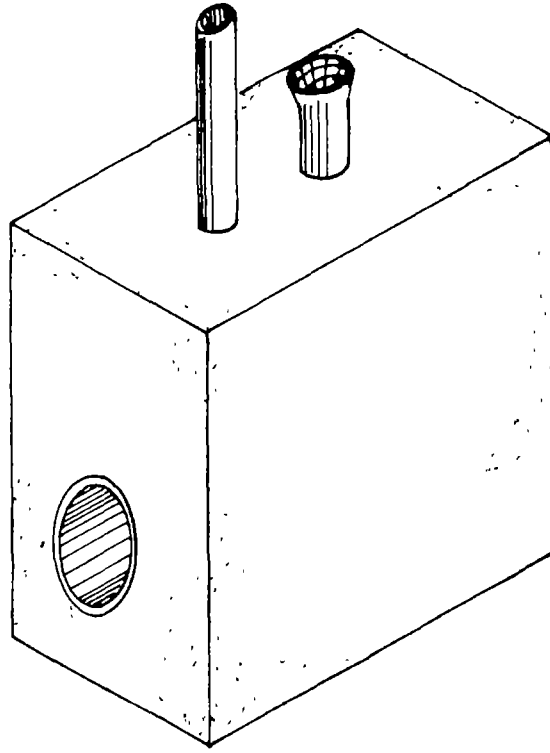




B.2. THE GUIDE



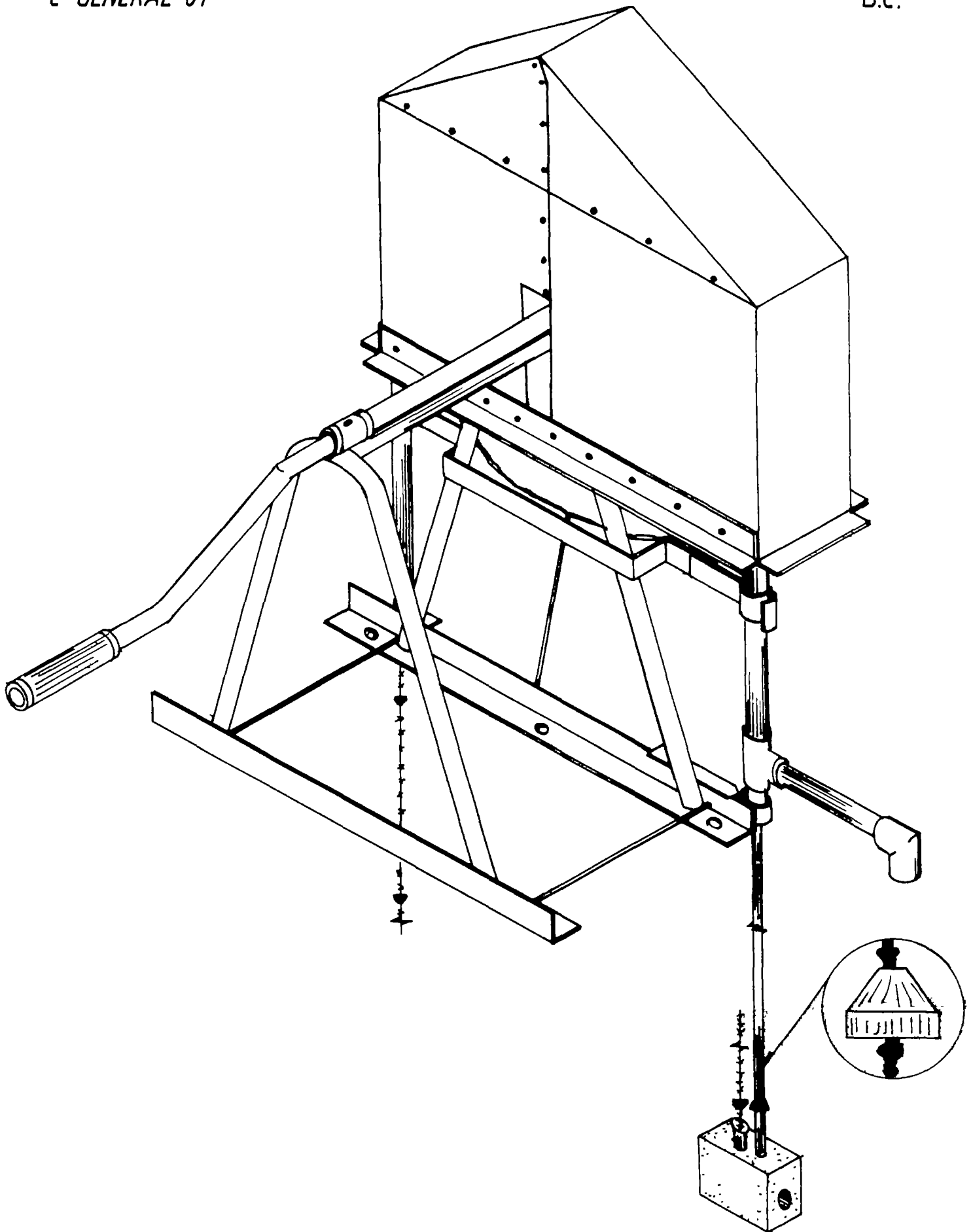
B₂-01



C. COMMUNITY WELL ROPE PUMP STRUCTURE

- For community wells serving 3 to 10 families.
- For school wells.
- For water and sanitation projects.
- Its structure is 80% galvanized.
- It has a wheel protection cover.

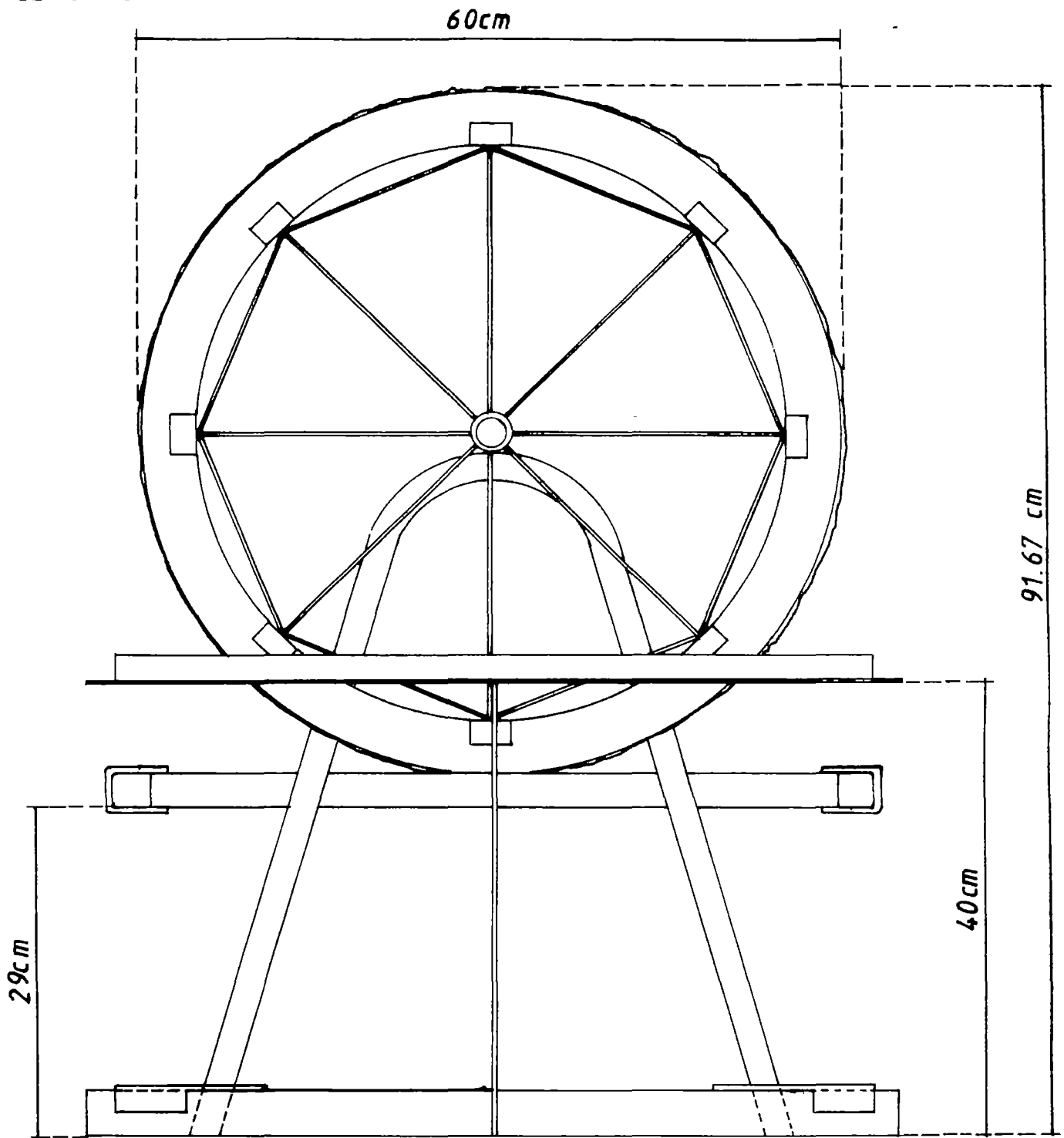






C-GENERAL-02

B.C.

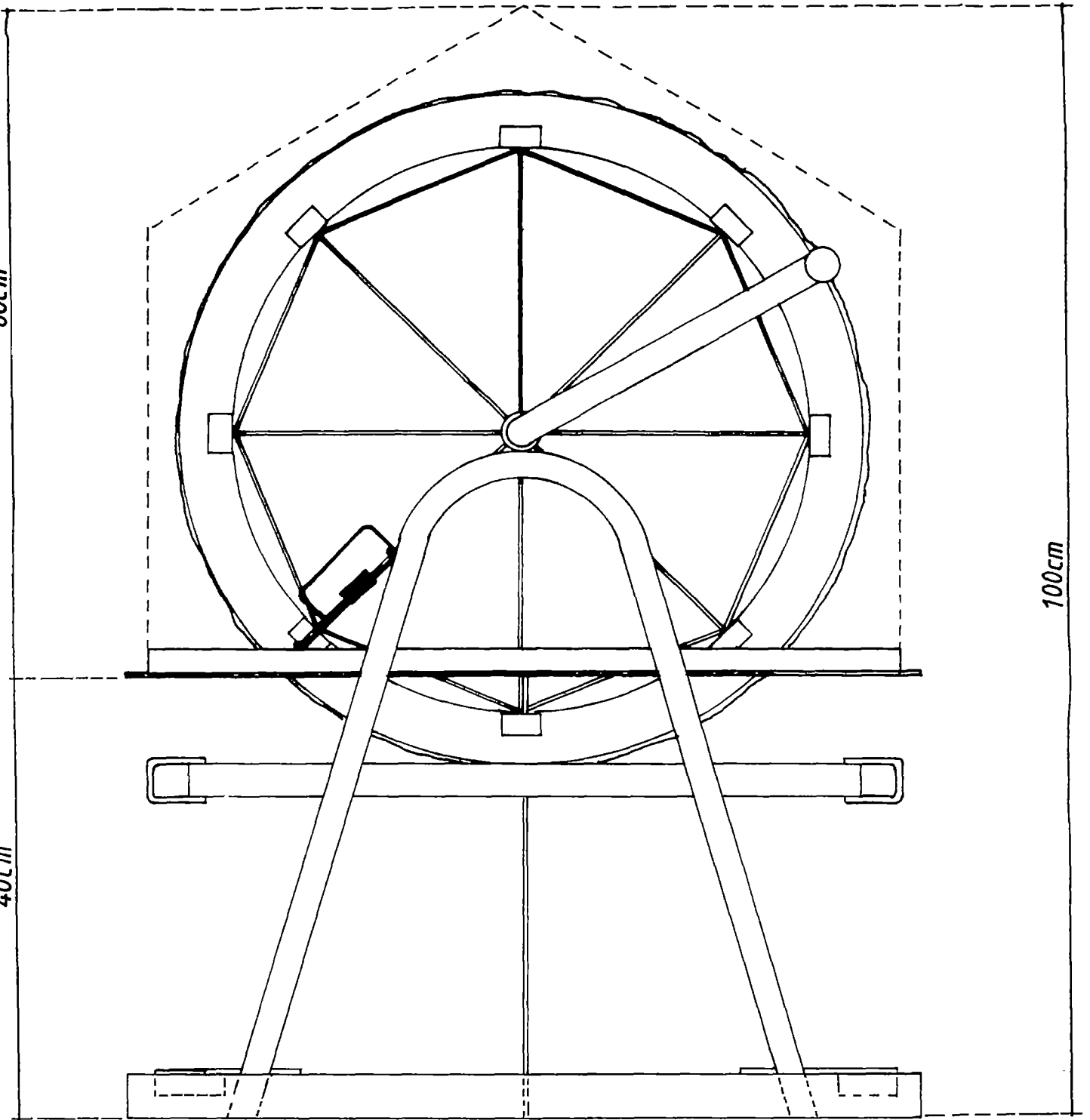


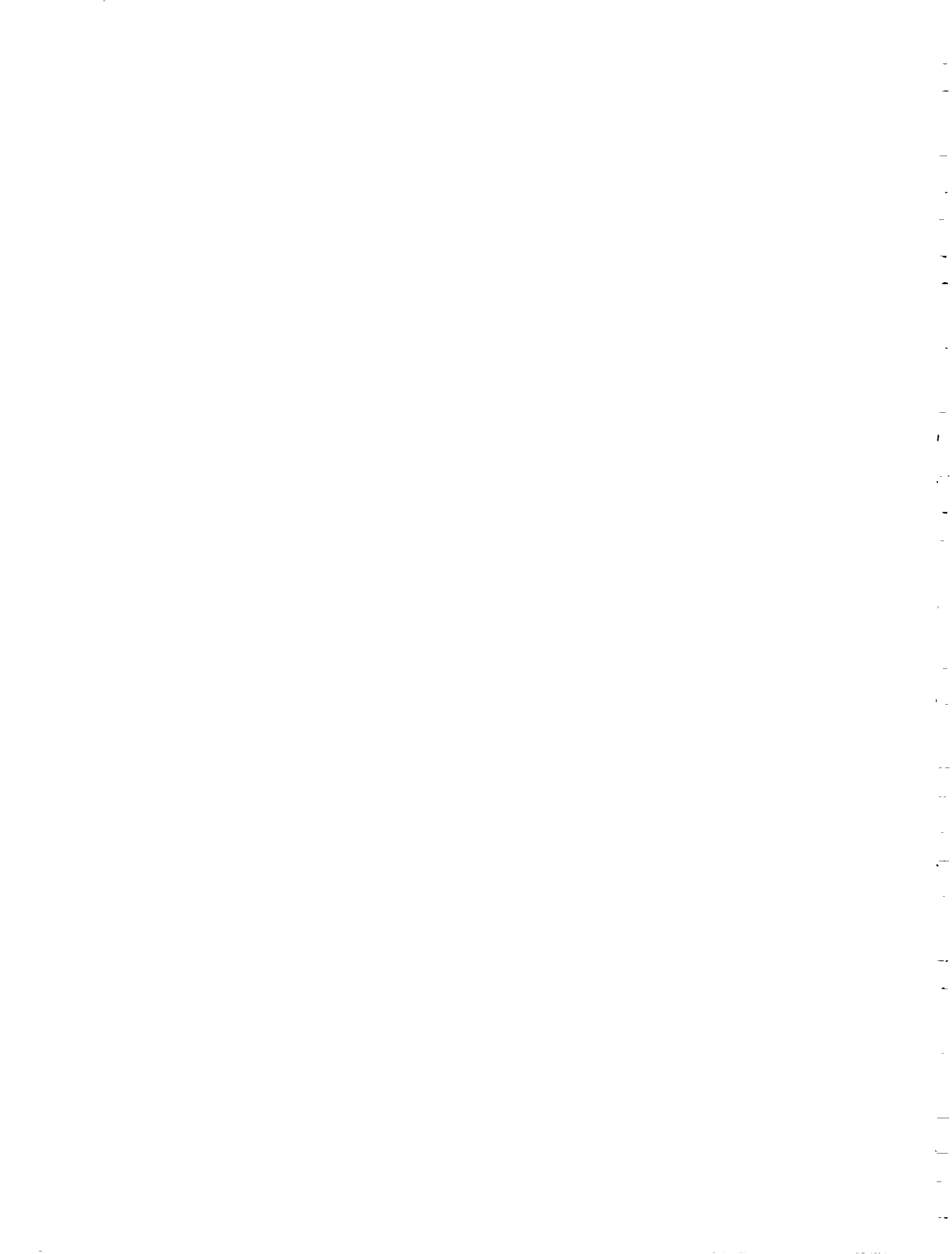


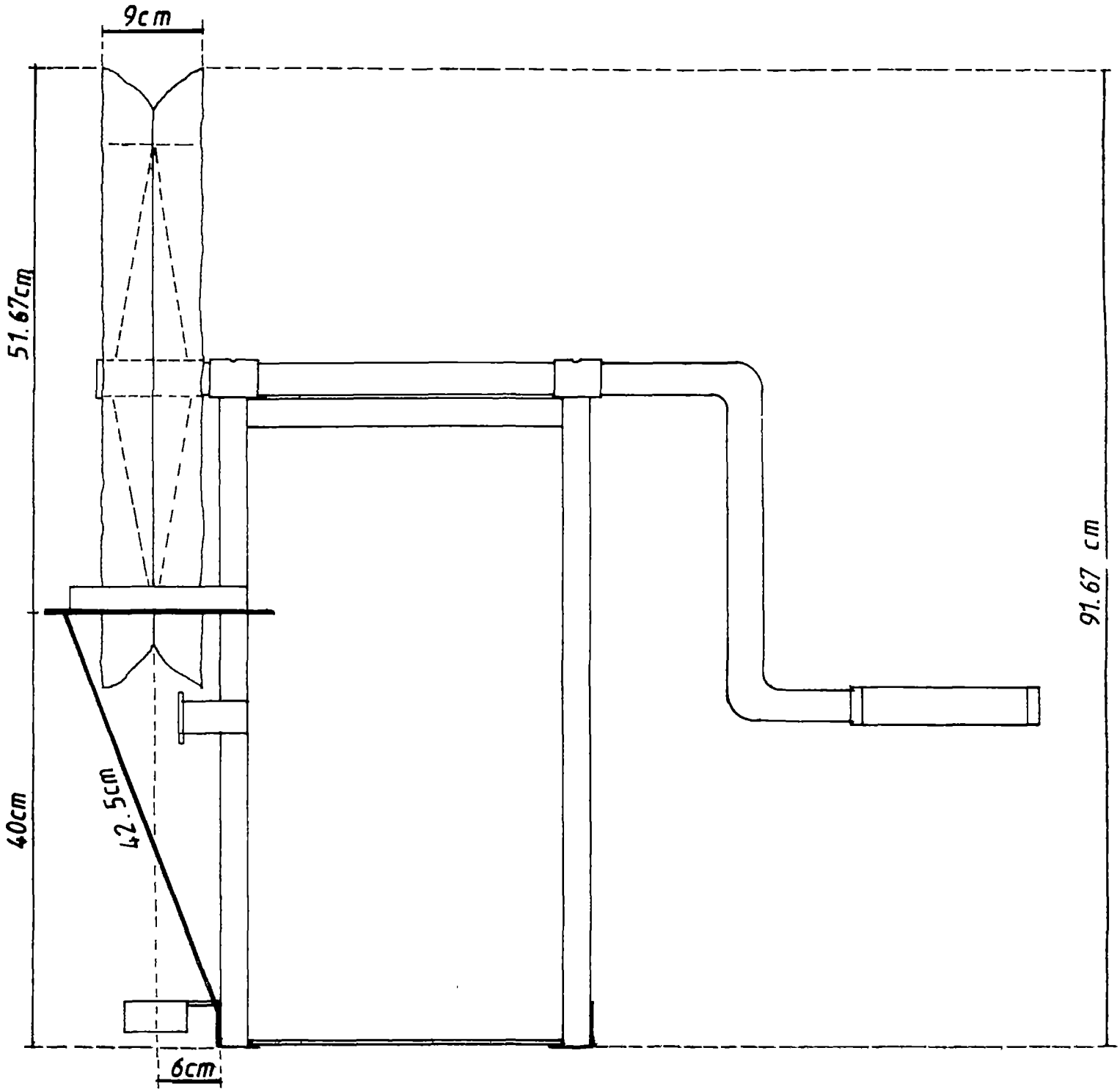
60cm

40cm

100cm









C-GENERAL-05

B.C.
20cm

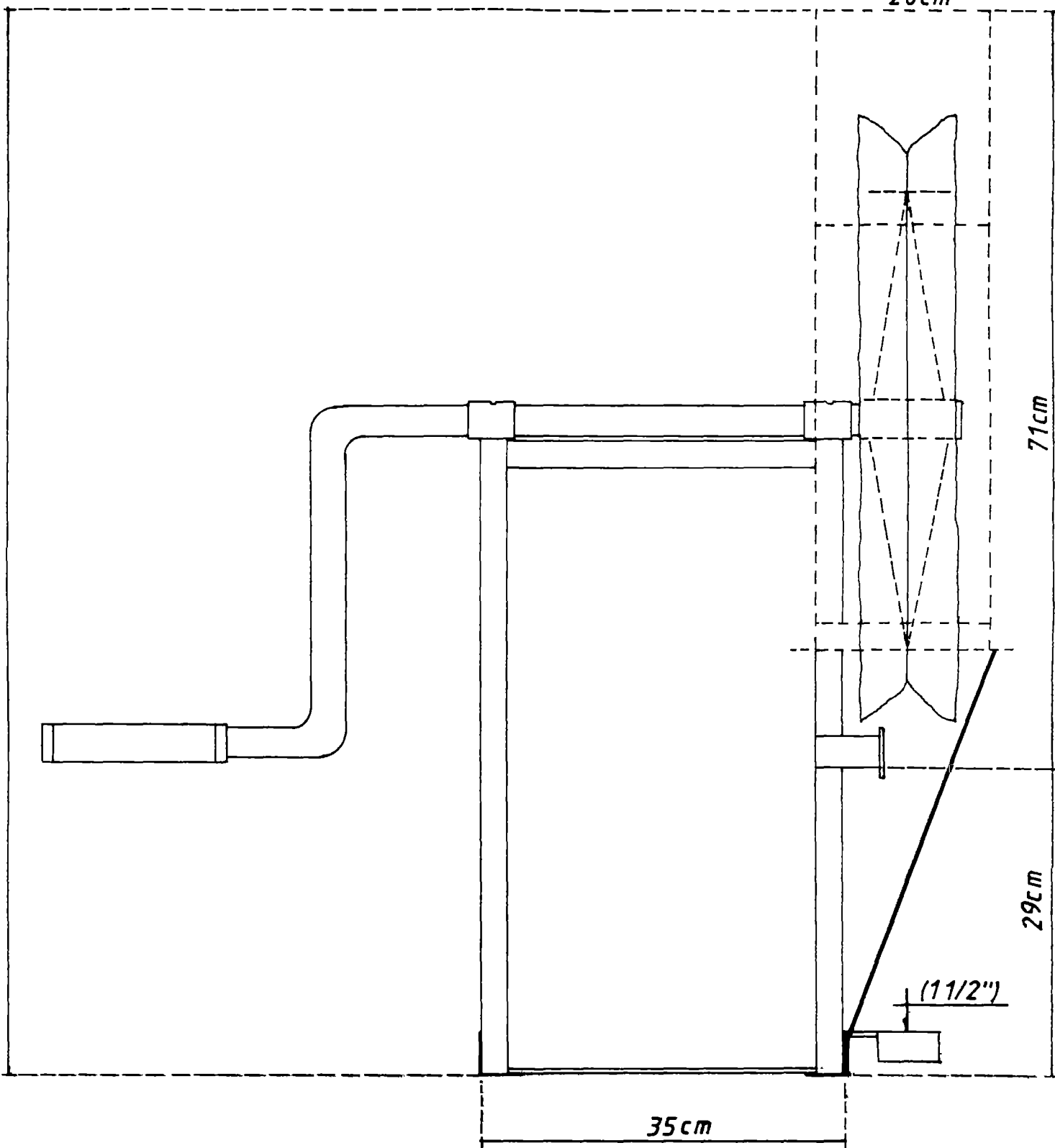
100cm

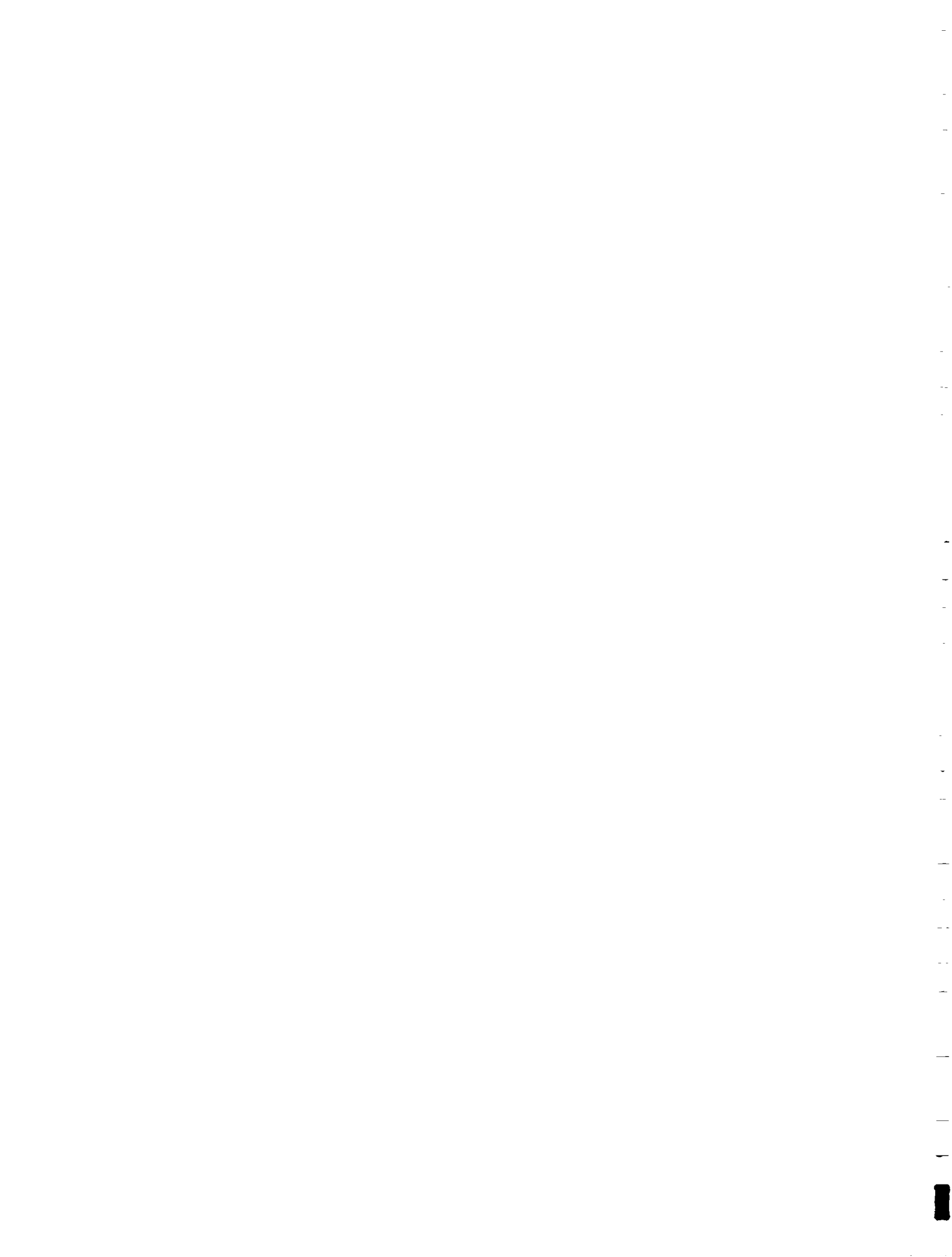
71cm

29cm

(1 1/2")

35cm



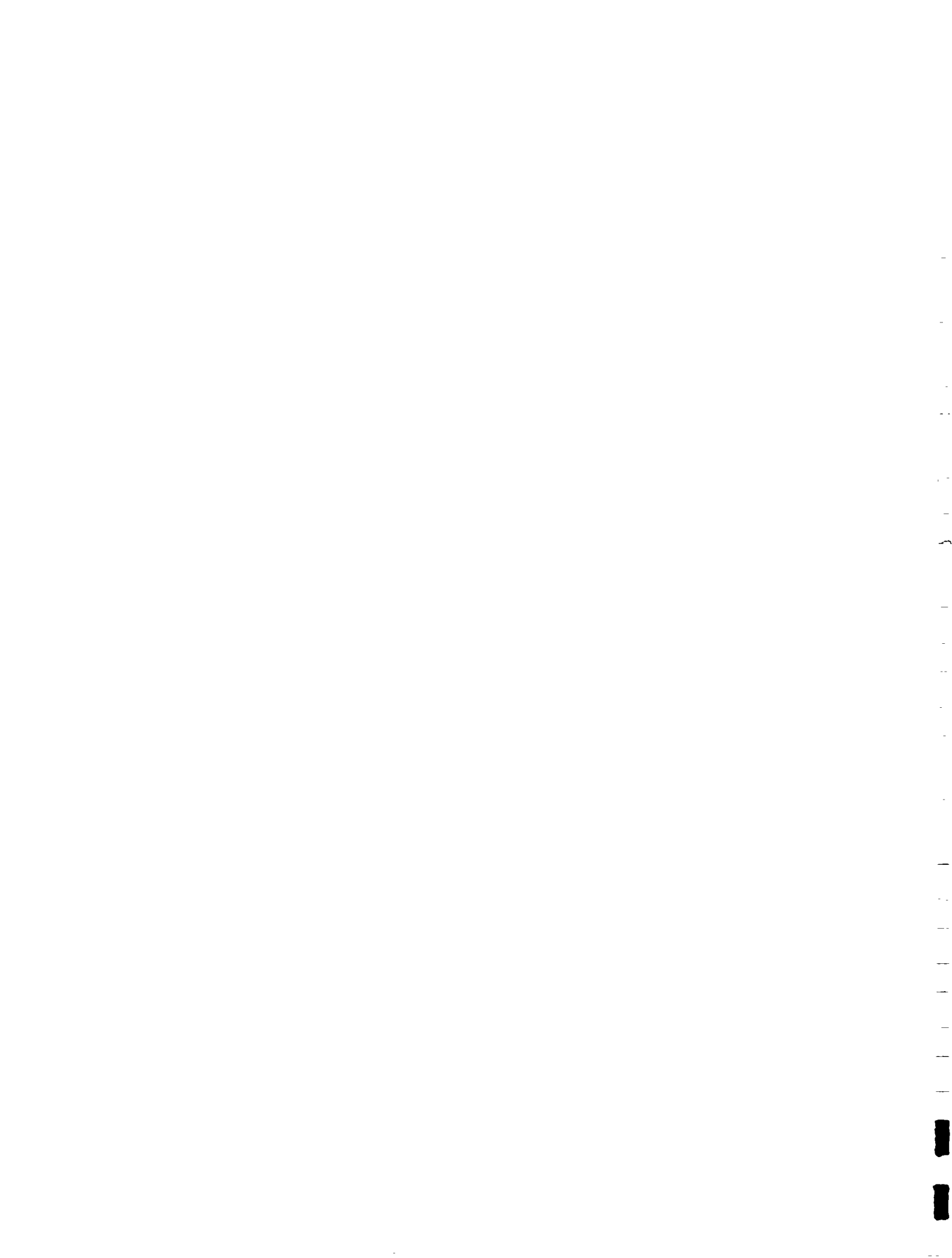


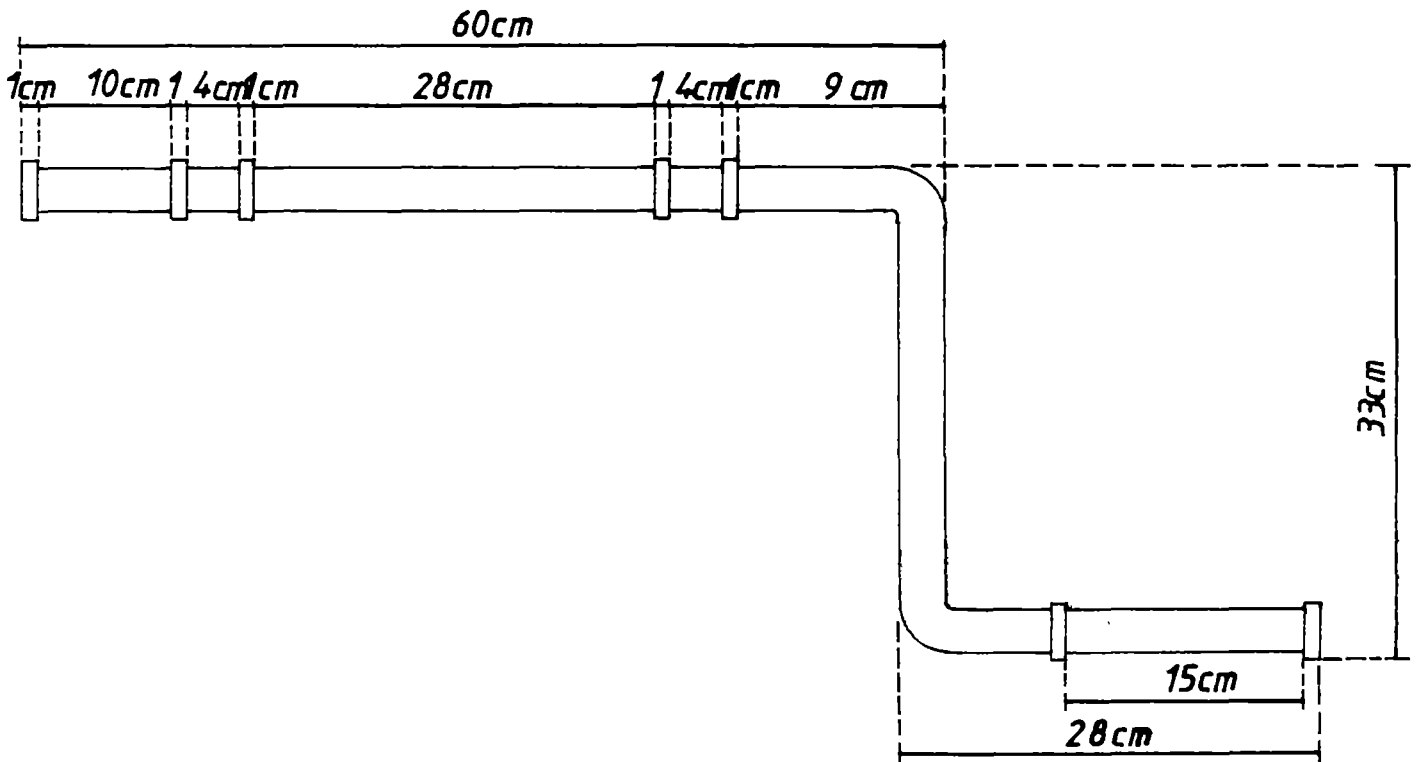
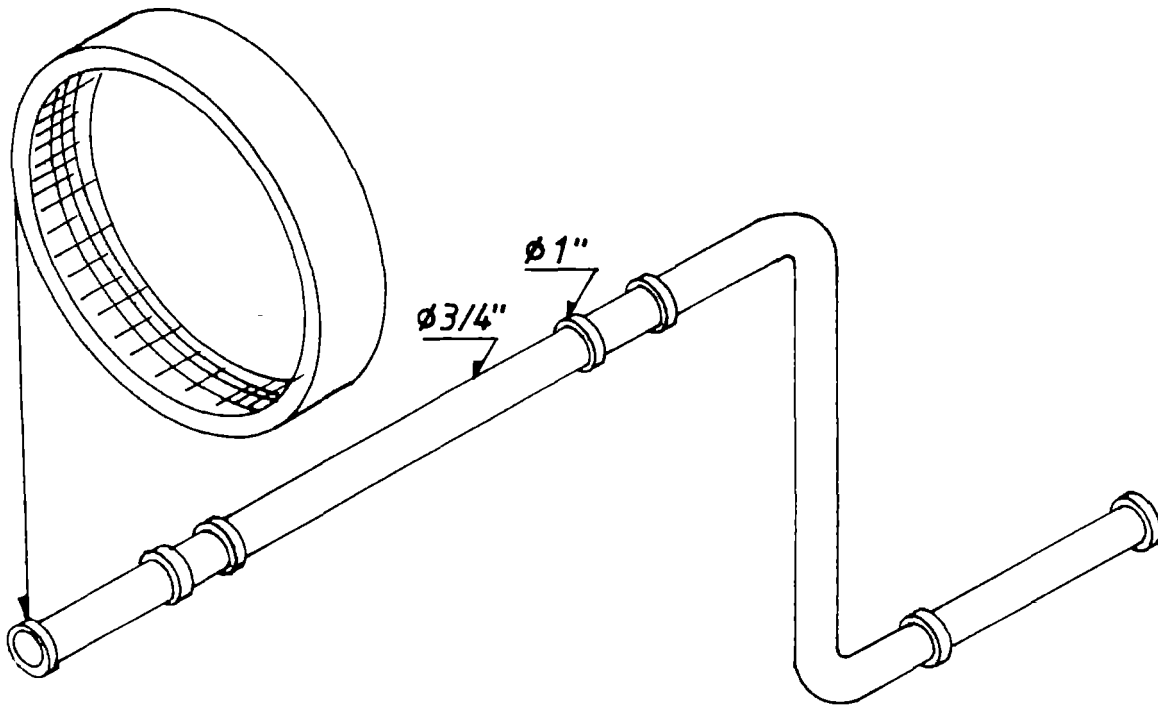
C.a. THE CRANK

MATERIALS FOR CRANK PRODUCTION

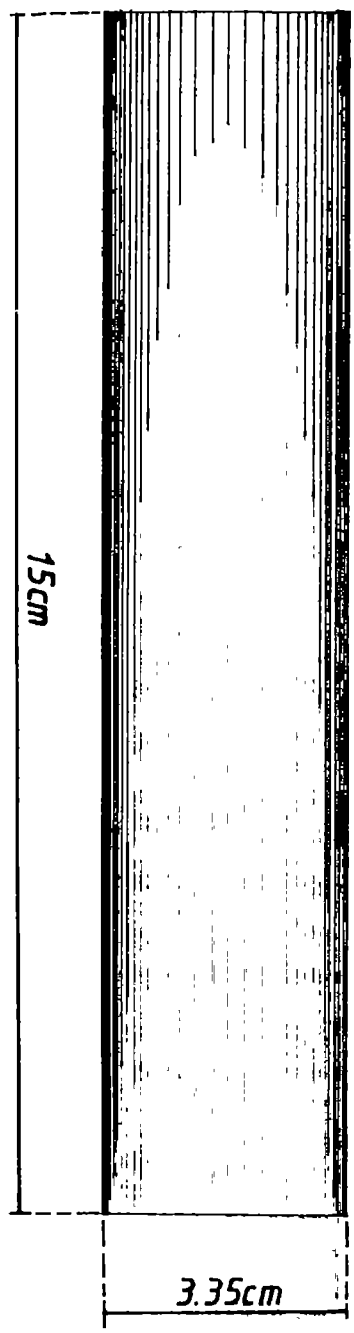
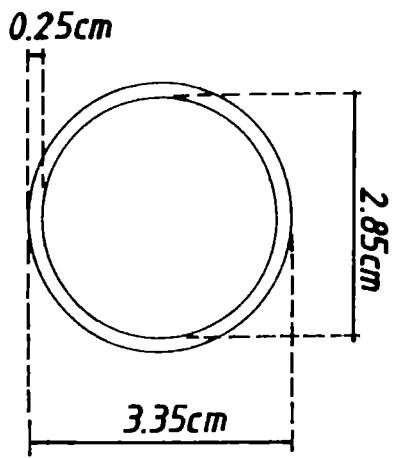
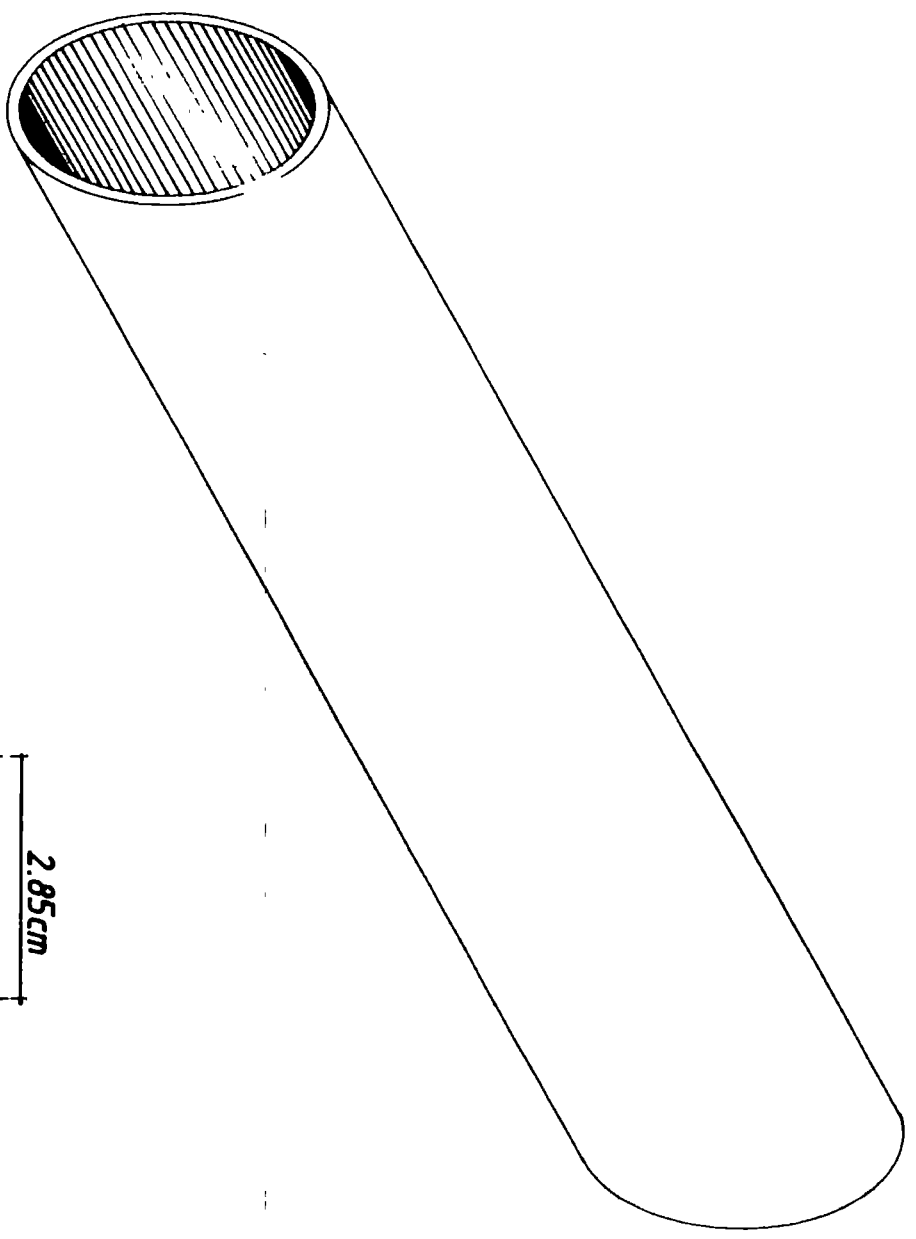
Amount	Materials	Measures	Section
1	Galvanized pipe	3/4" x 110 cm.	Shaft
1	Galvanized pipe	1" x 15 cm	Roller
6	Galvanized pipes	1" x 1 cm	Spacers

- Pumps for 0 - 37 meter deep wells use one crank,
- Pumps for 37 - 50 meter deep wells are specially built with wooden bearings and double crank.







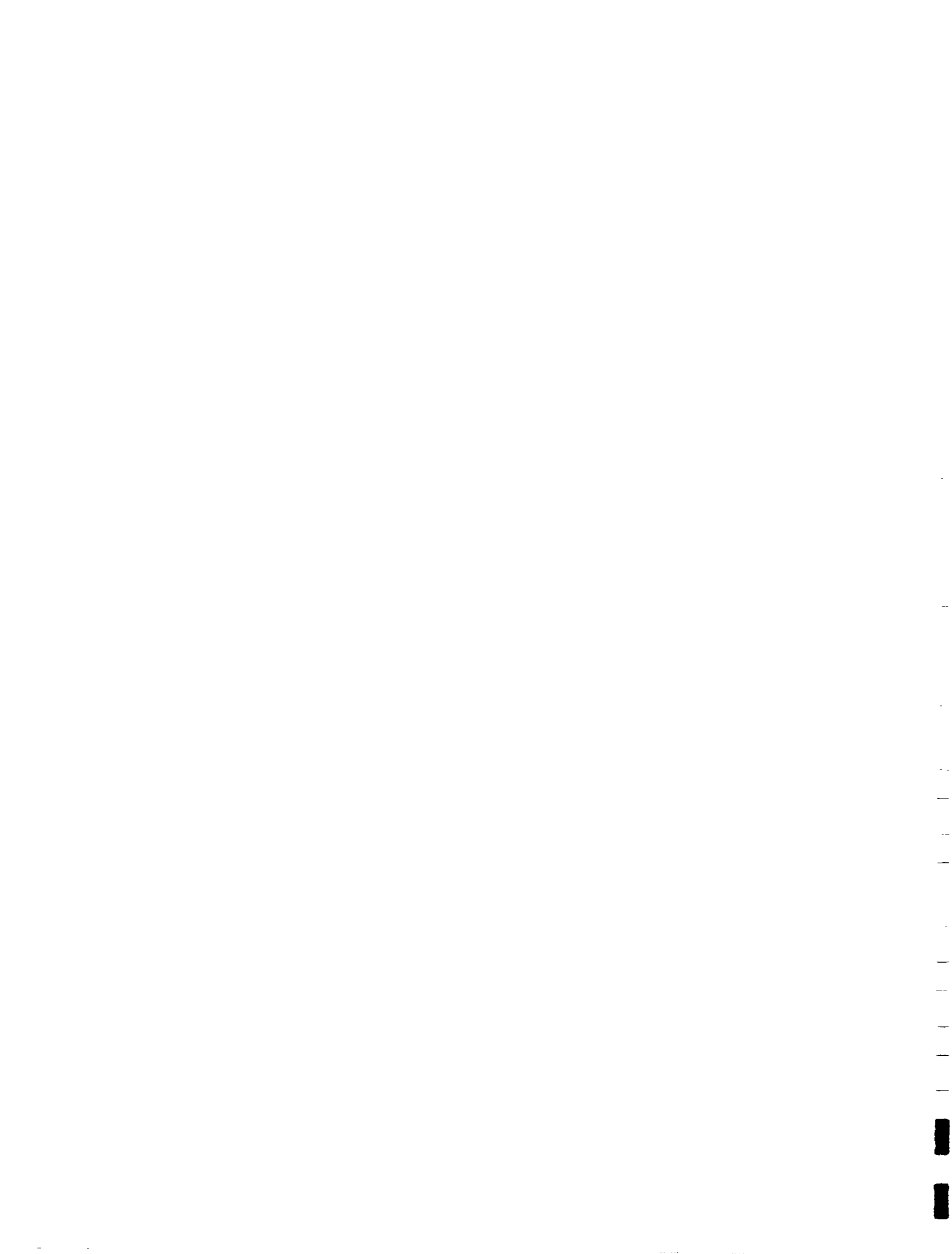




C.b. LEG ASSEMBLY

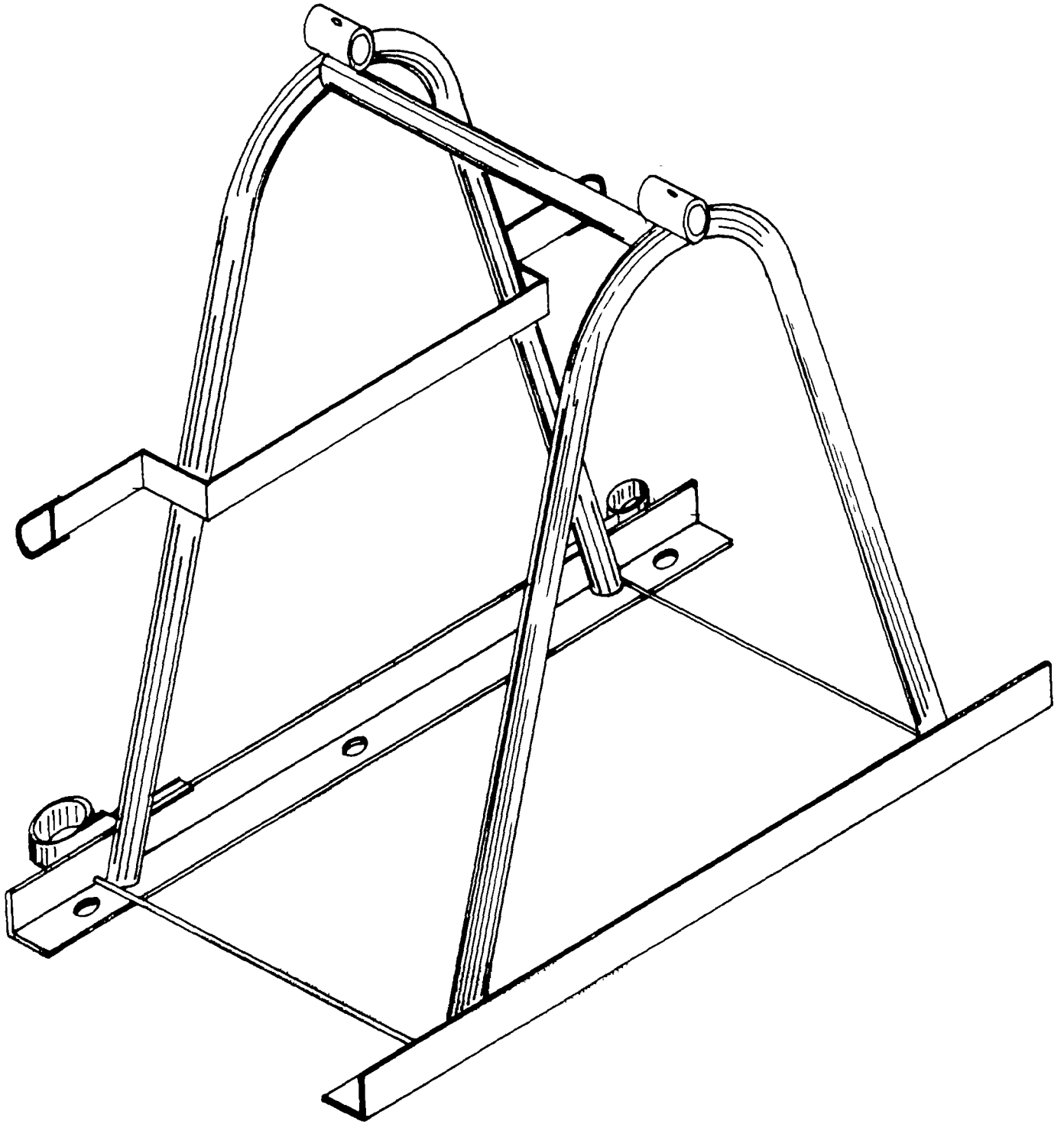
LIST OF MATERIALS

Amount	Materials	Measures	Section
2	Galvanized pipe	3/4 x 127.5 cm	Legs
2	Galvanized pipe	1" x 4 cm	Bushings

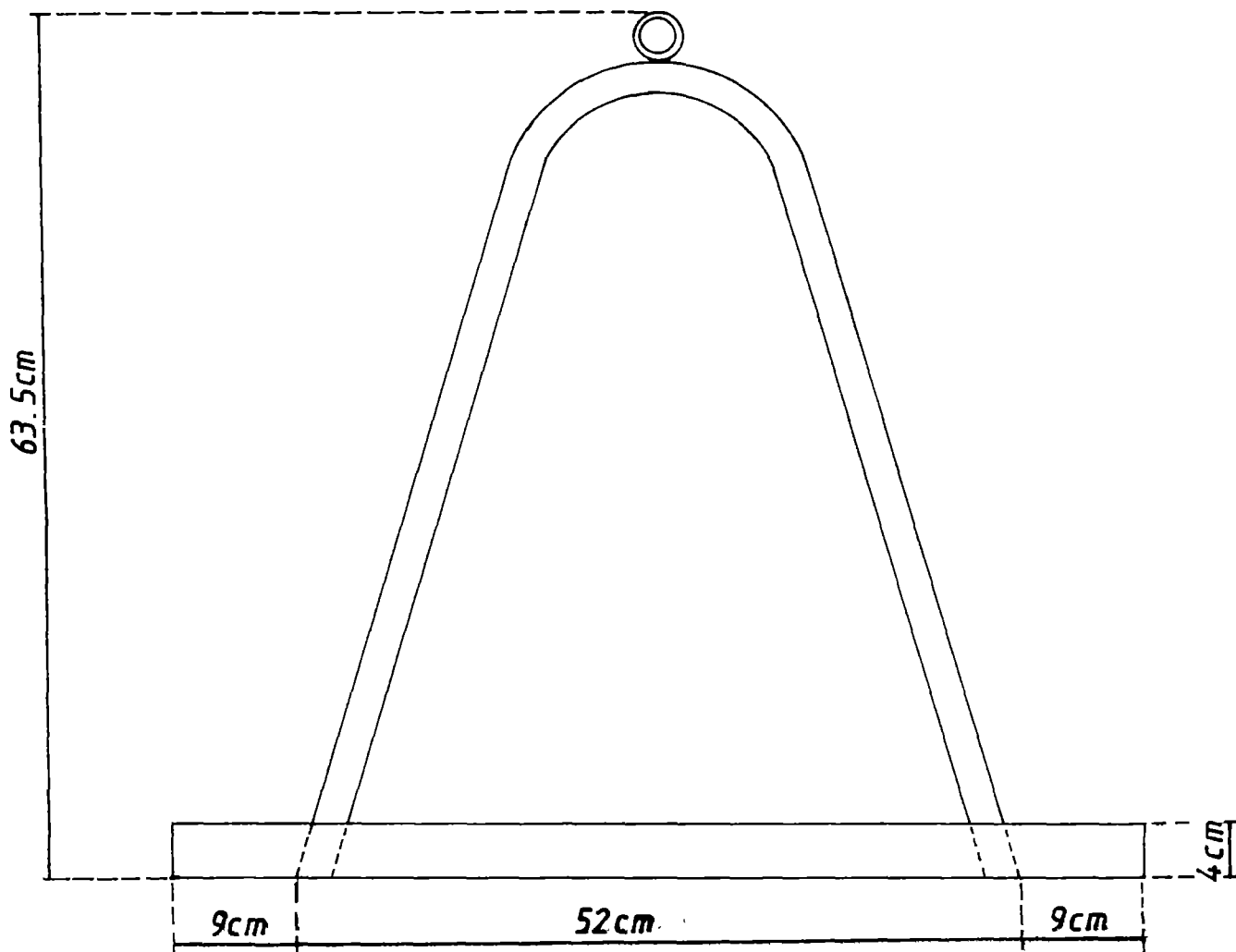


C-b-01

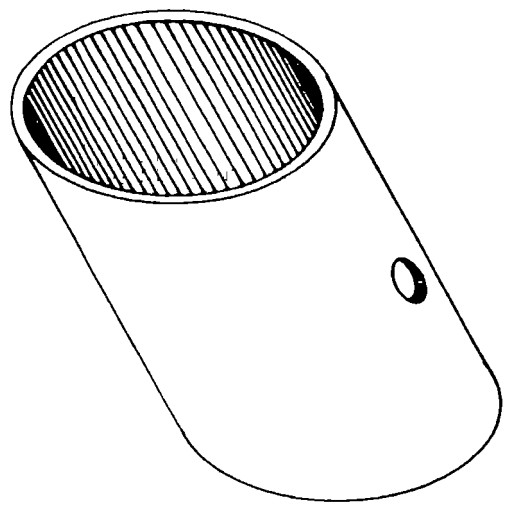
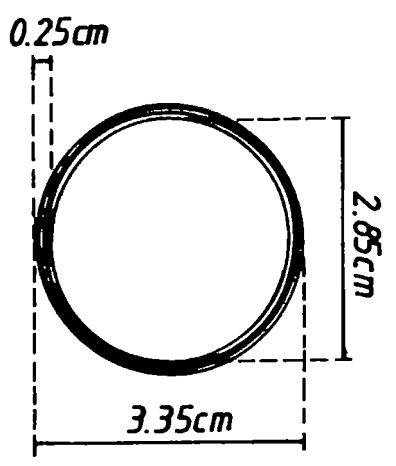
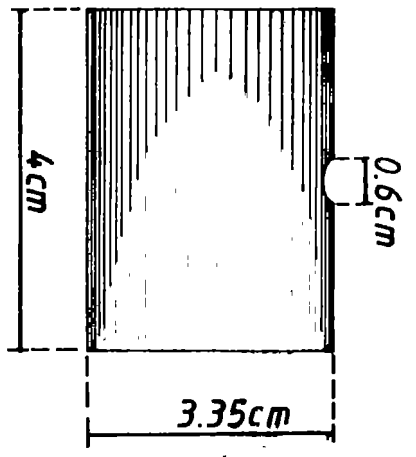
B.C.

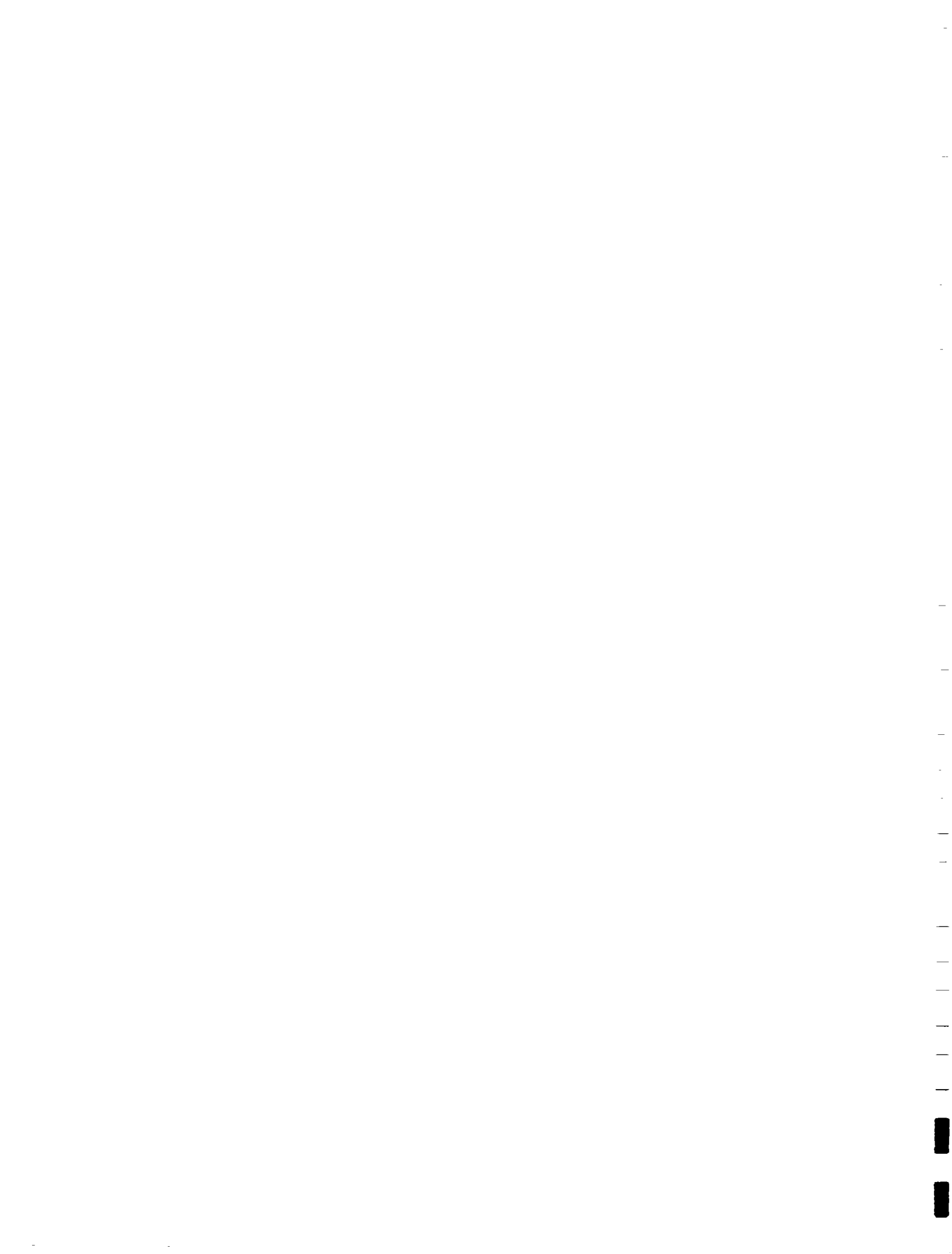










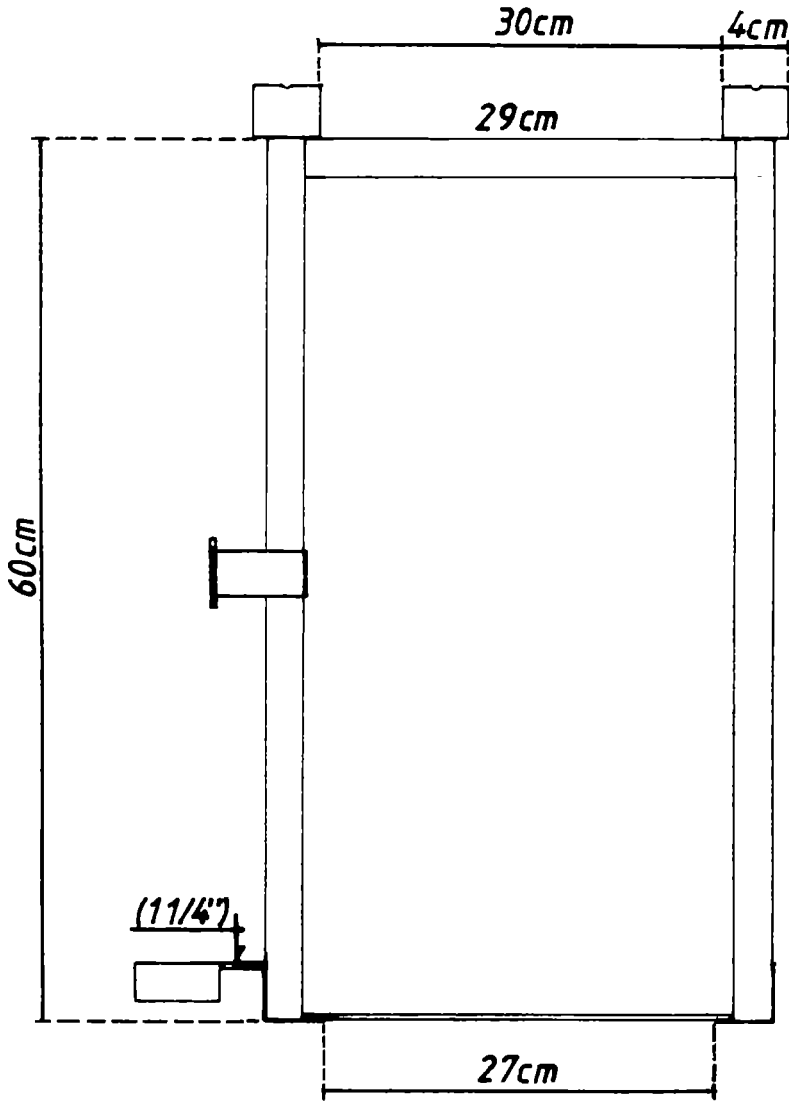


C.c. LEG REINFORCEMENT

LIST OF MATERIALS

Amount	Materials	Measures	Section
1	Galvanized pipe	3/4 x 29 cm	Upper reinforcing bar

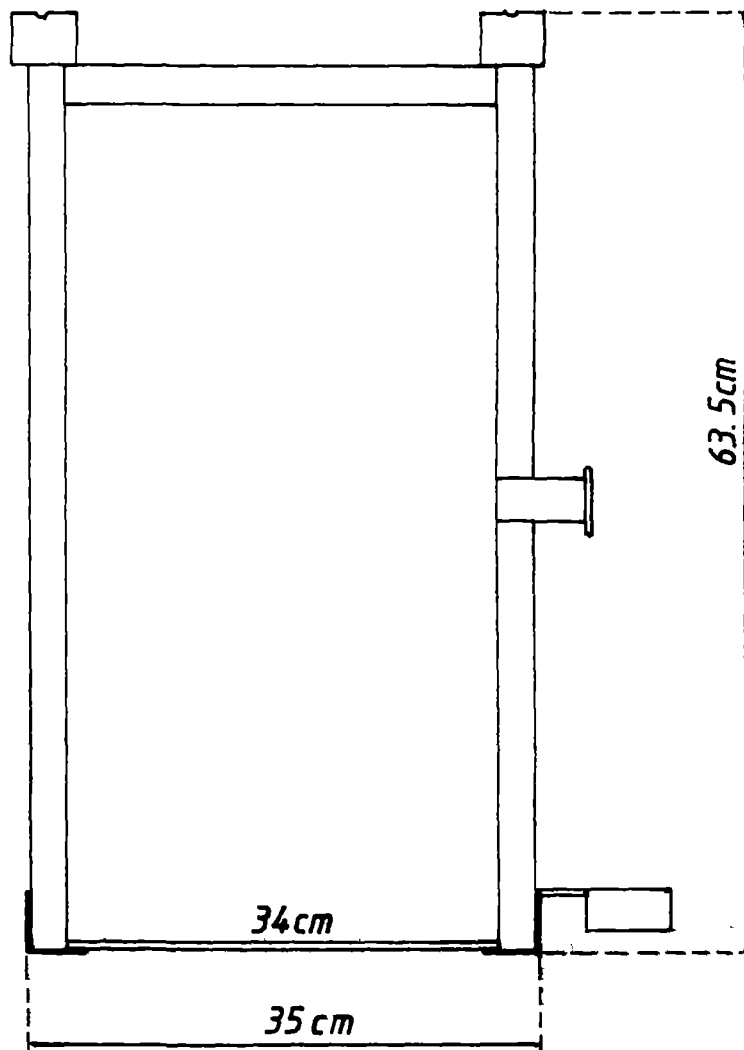






C-c-02

B.C.

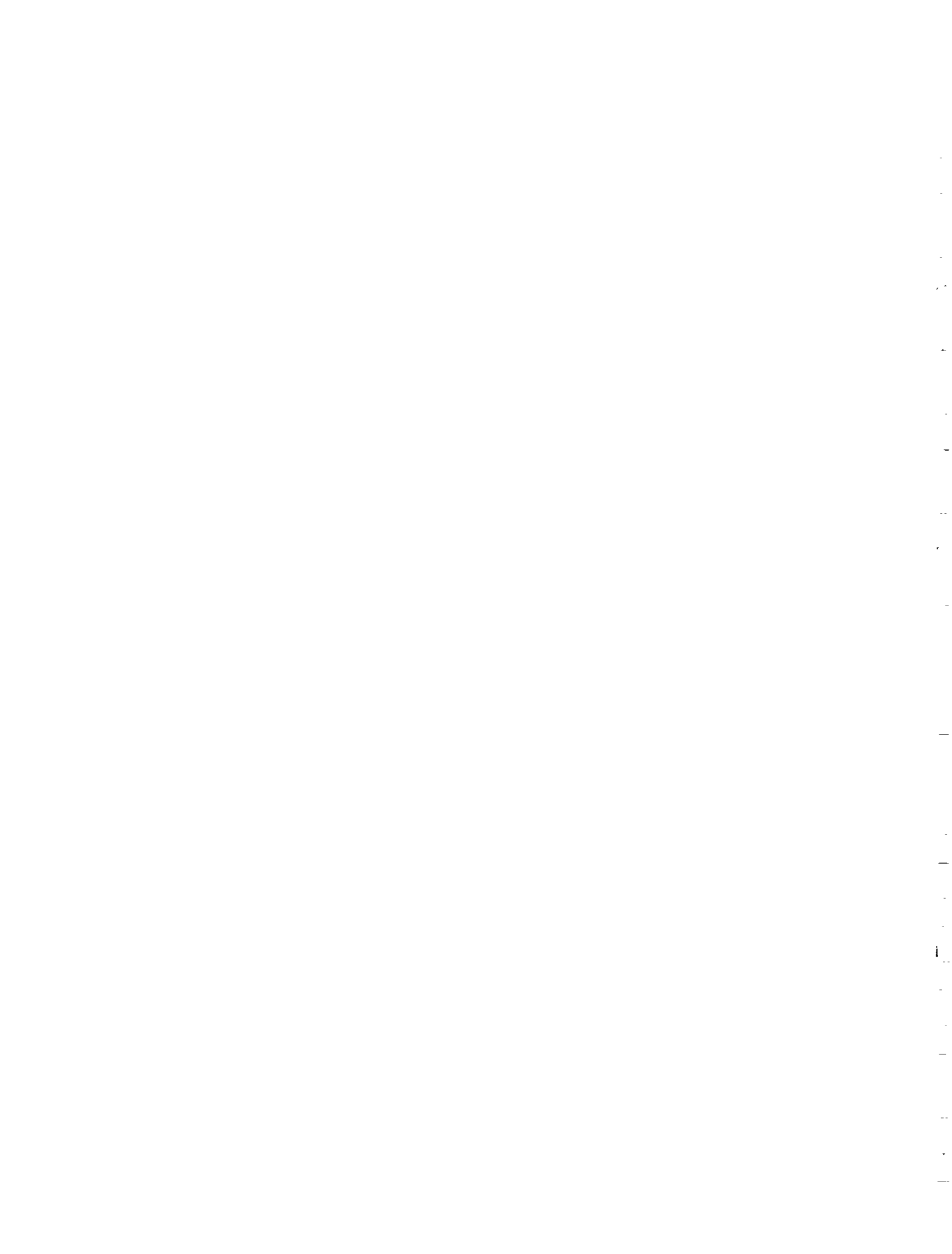




C.d. ANGLE IRONS

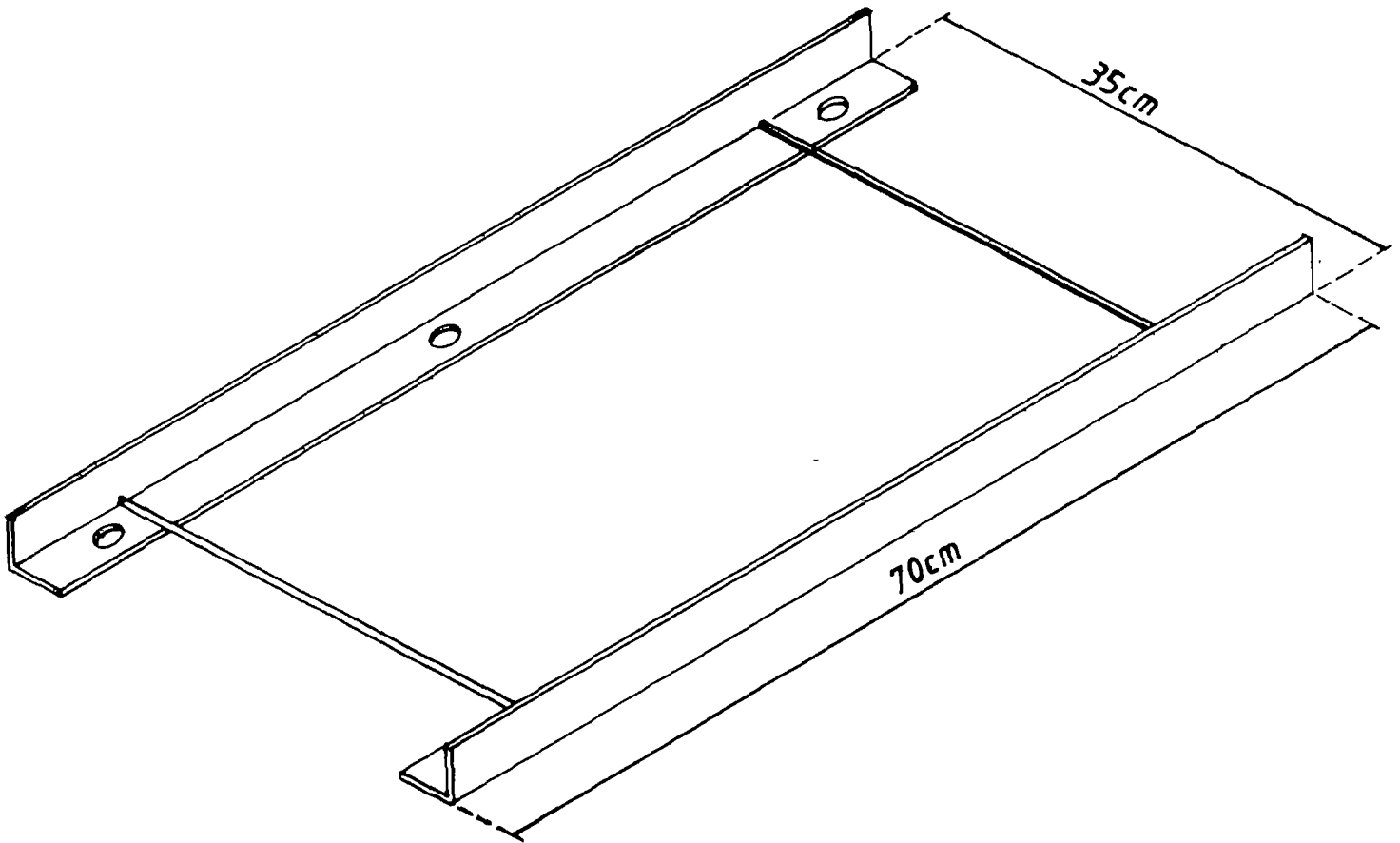
LIST OF MATERIALS

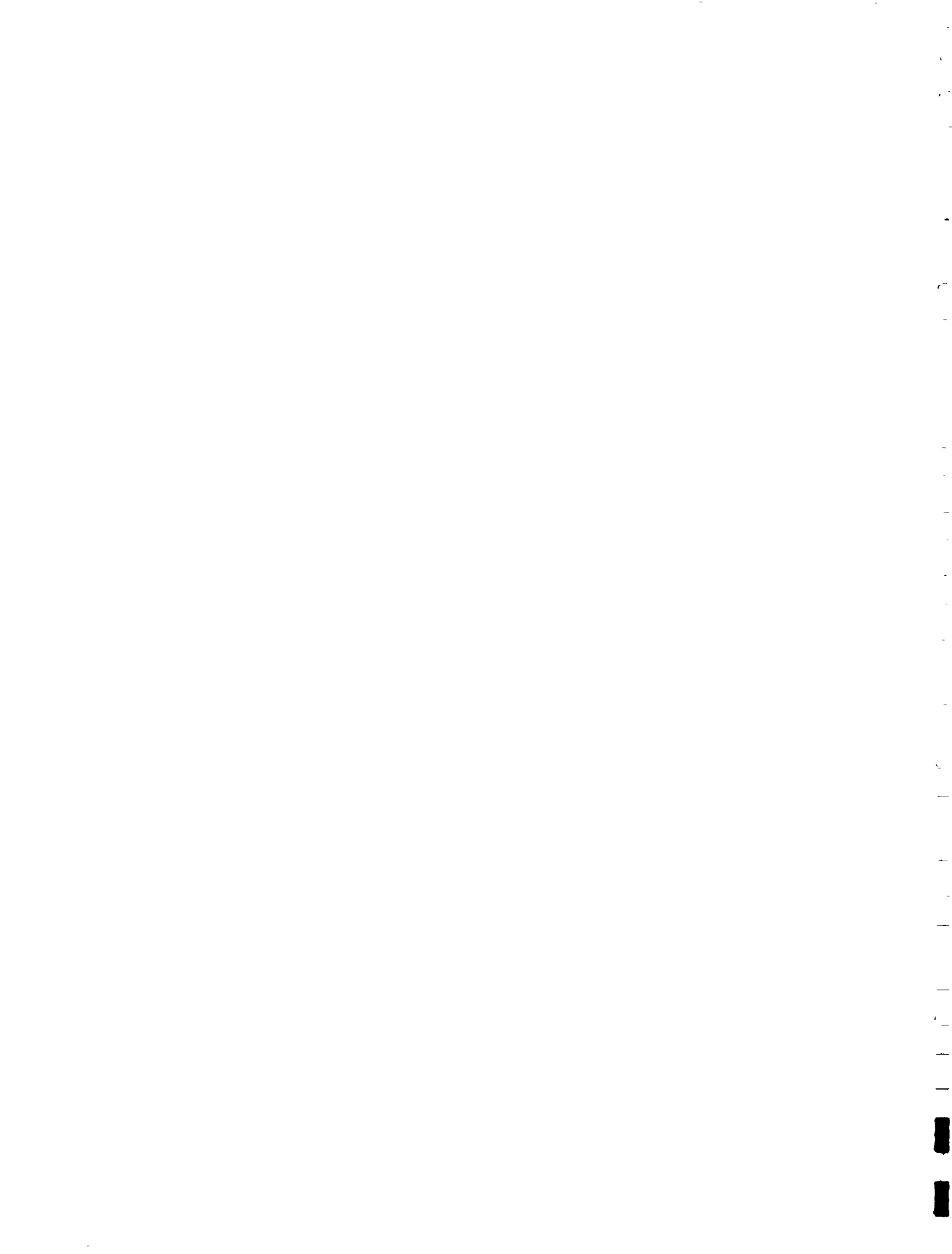
Amount	Materials	Measures	Section
2	Angle irons	1 ½ x 70 cm	Angle irons for base
2	Corrugated rod	3/8" x 34 cm	Reinforcing bars



C-d-01

B.C.



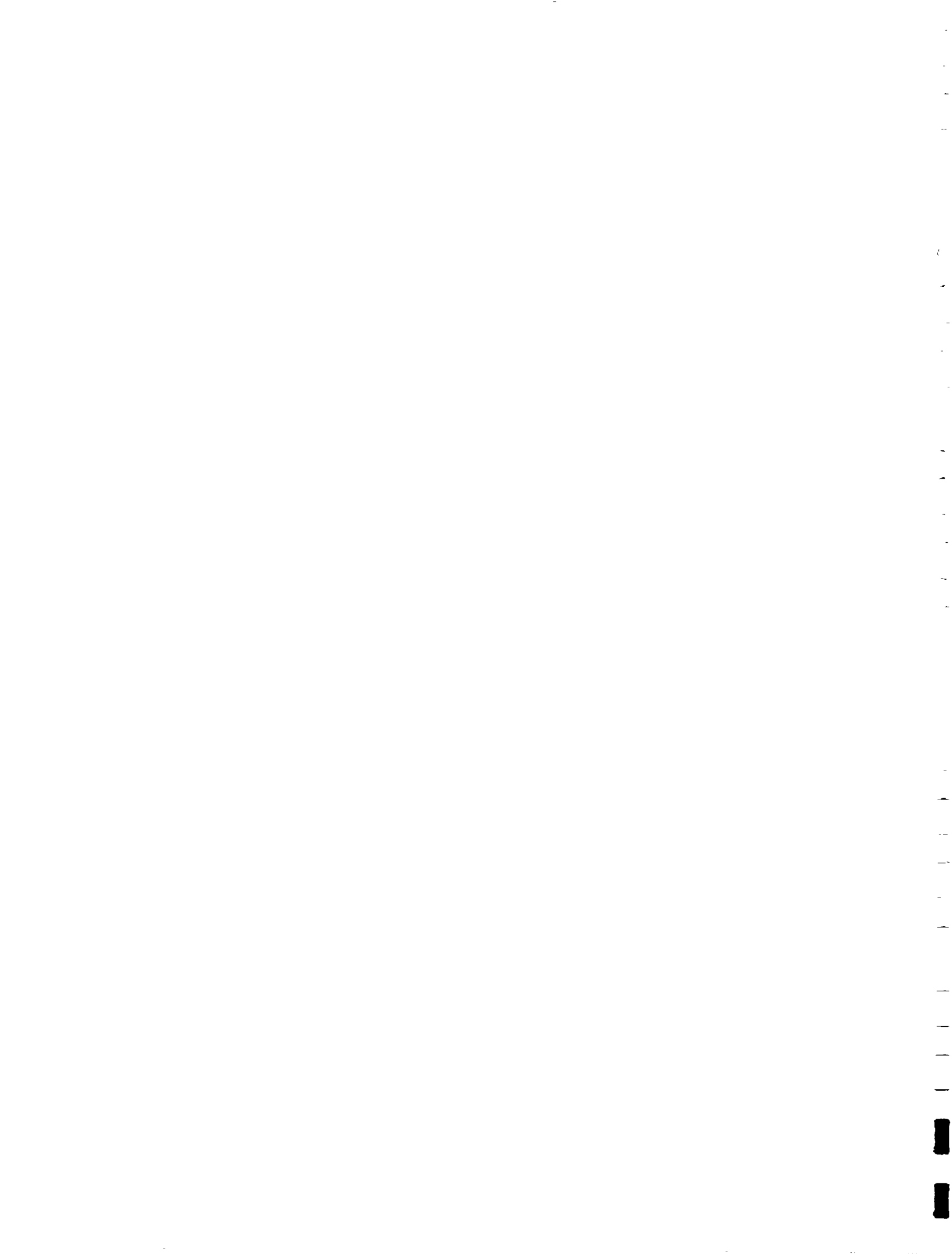


C.e. THE PULLEY WHEEL HUB

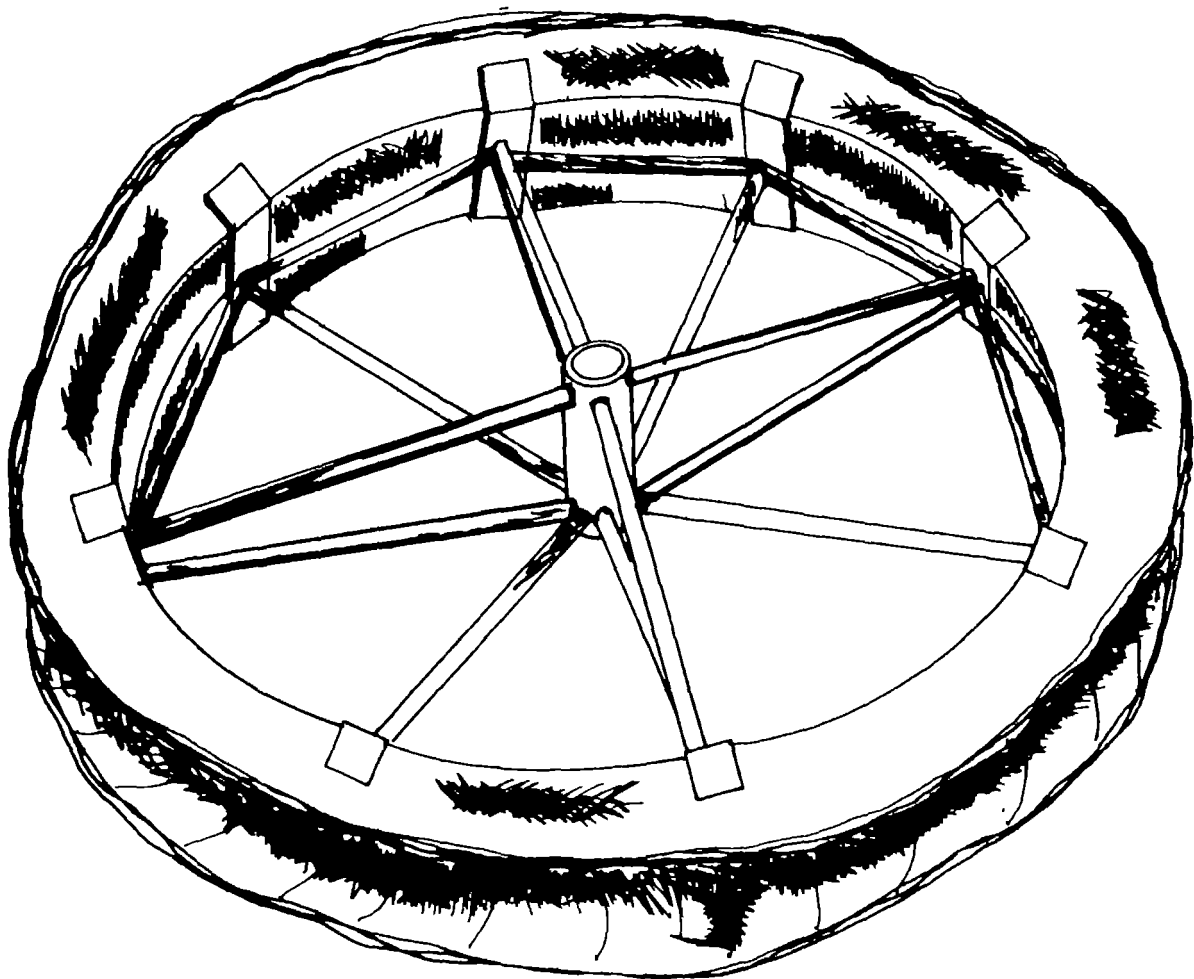
LIST OF MATERIALS

Amount	Materials	Measures	Section
12	Smooth rods	3/8" x 23 cm	Spokes
8	Smooth rods	3/8" x 18 cm	Reinforcing bars
8	Steel strips	1/8x1 1/2x10cm	Staples
1	Galvanized pipe	1" x 10 cm	Bushings
2	Tire cuttings	rim# 20"	Wheel

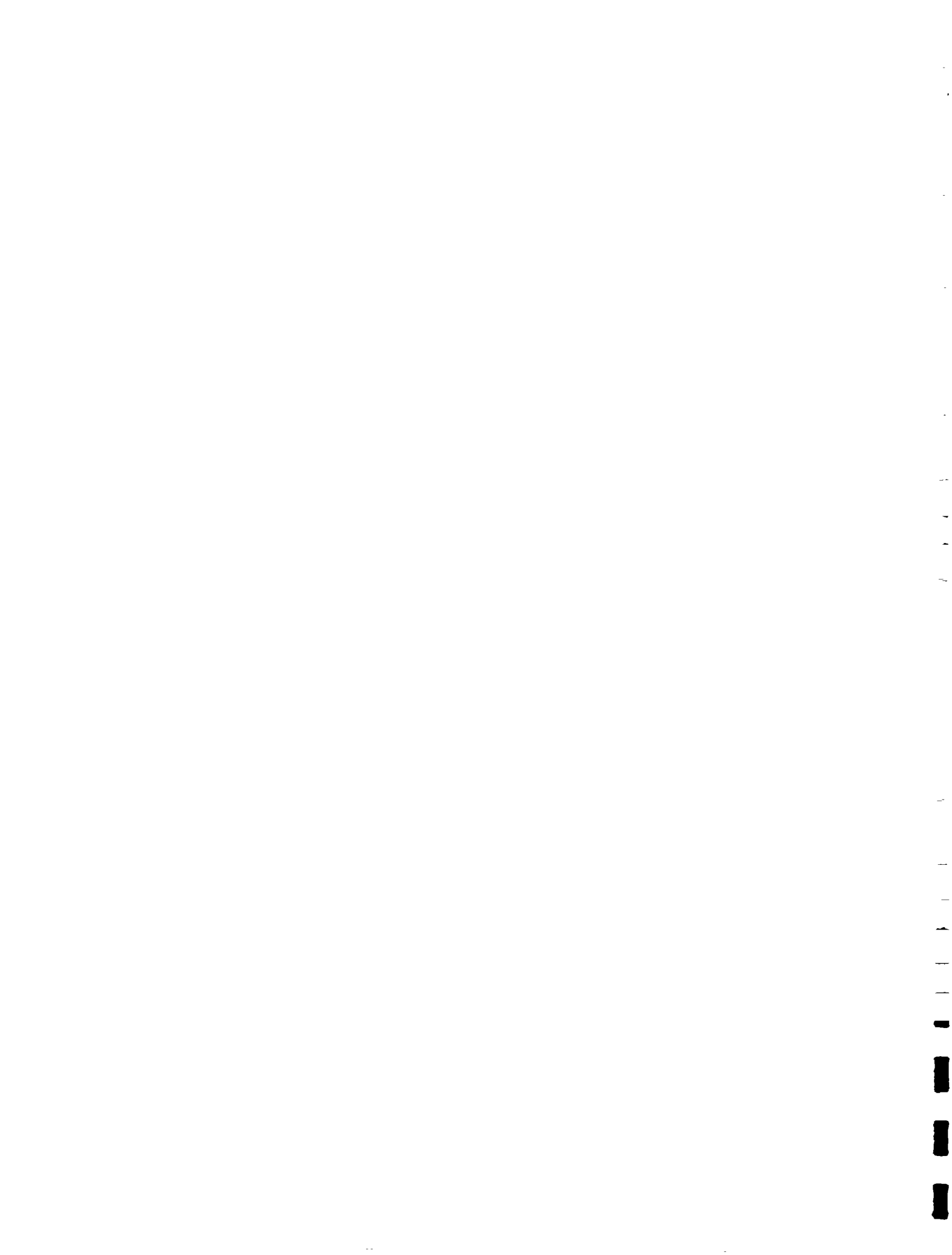
- Tire cuttings rim # 16 are used for 29 to 50 meter deep wells with wooden bearings and a double crank system which should be installed as on drilled wells.

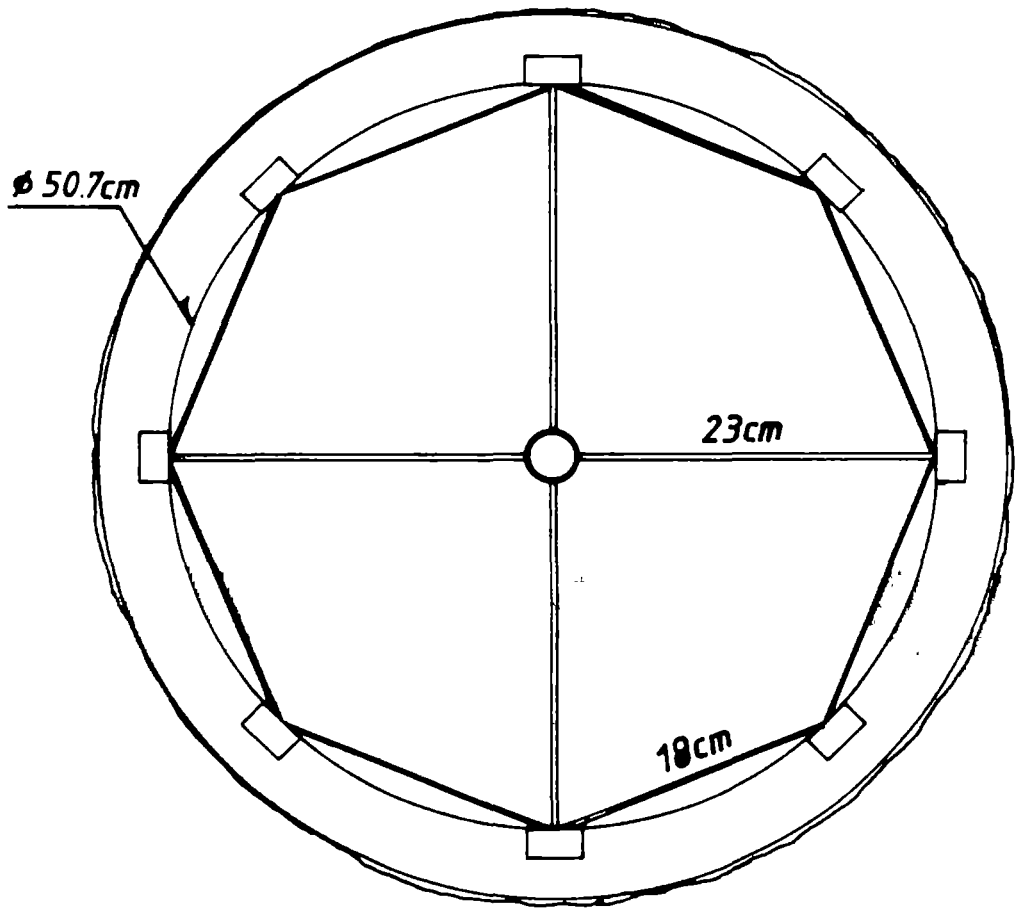
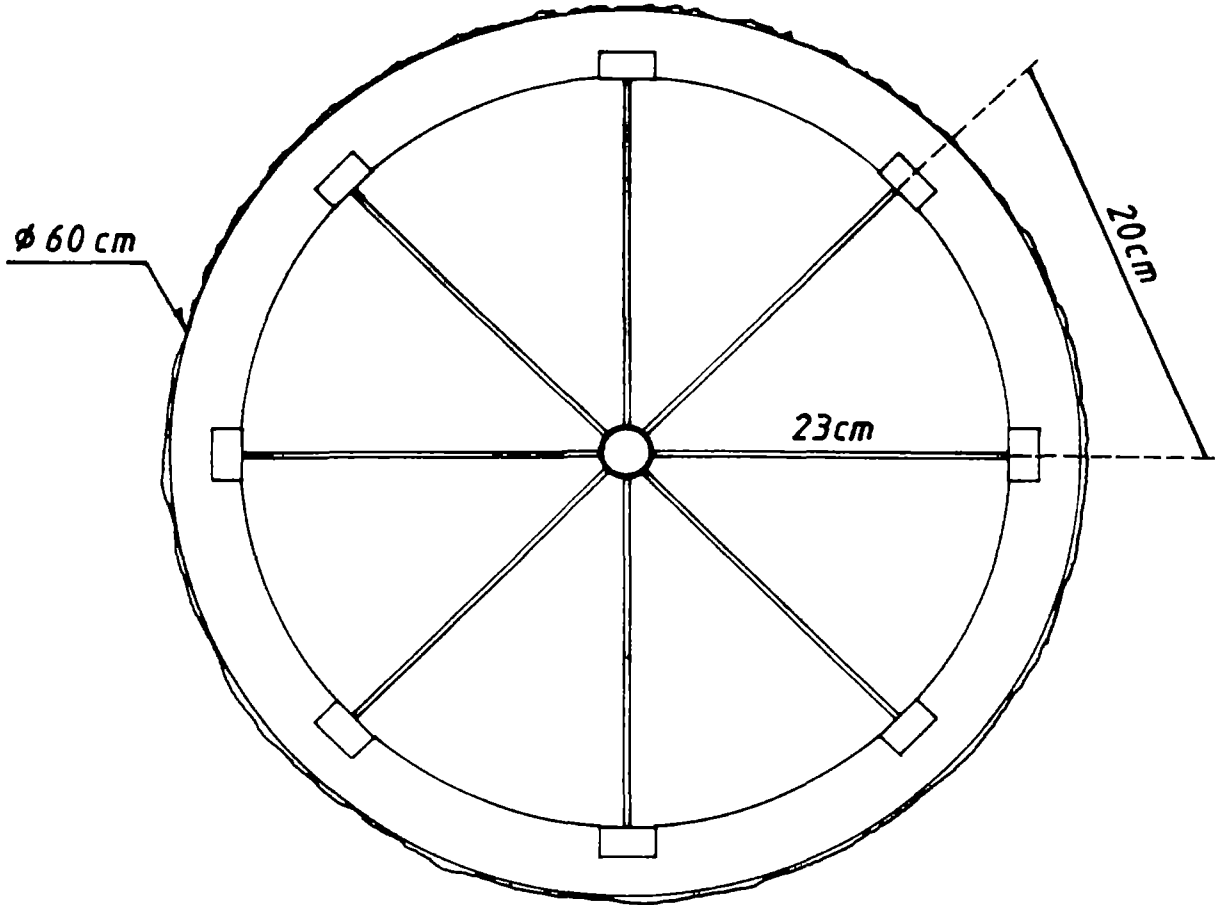


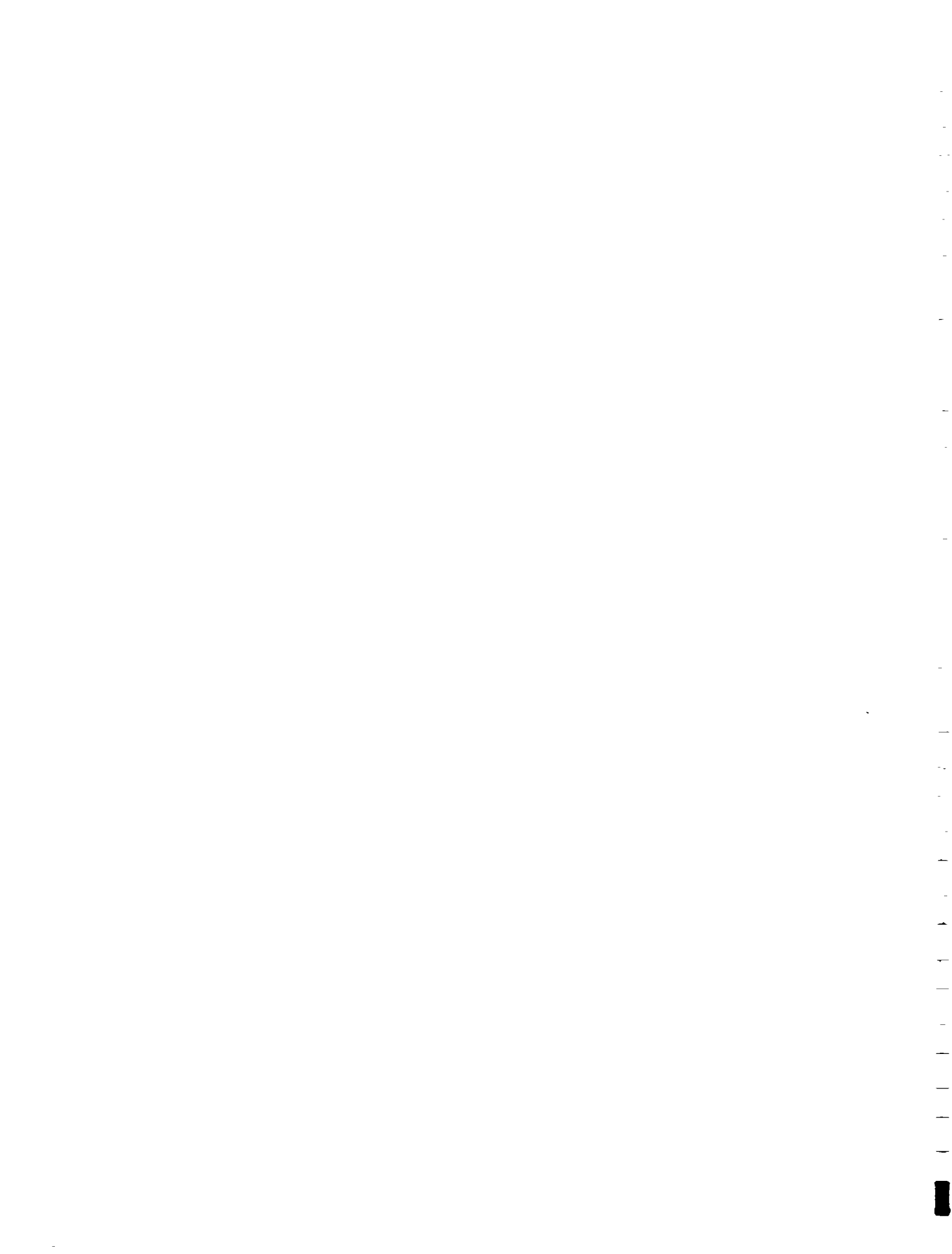
C-a-01

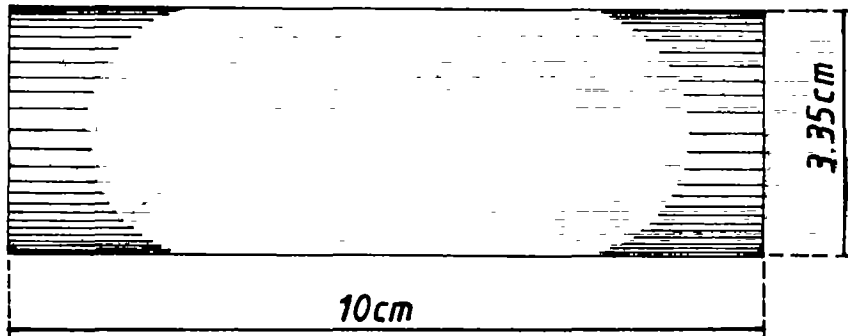
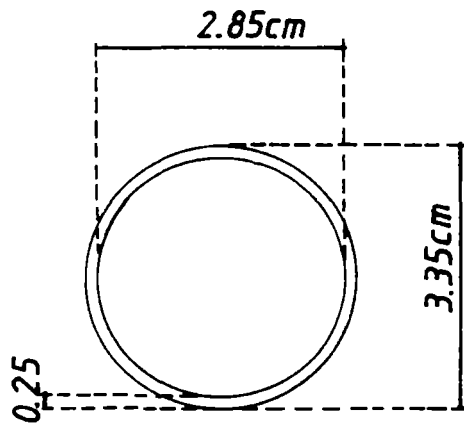
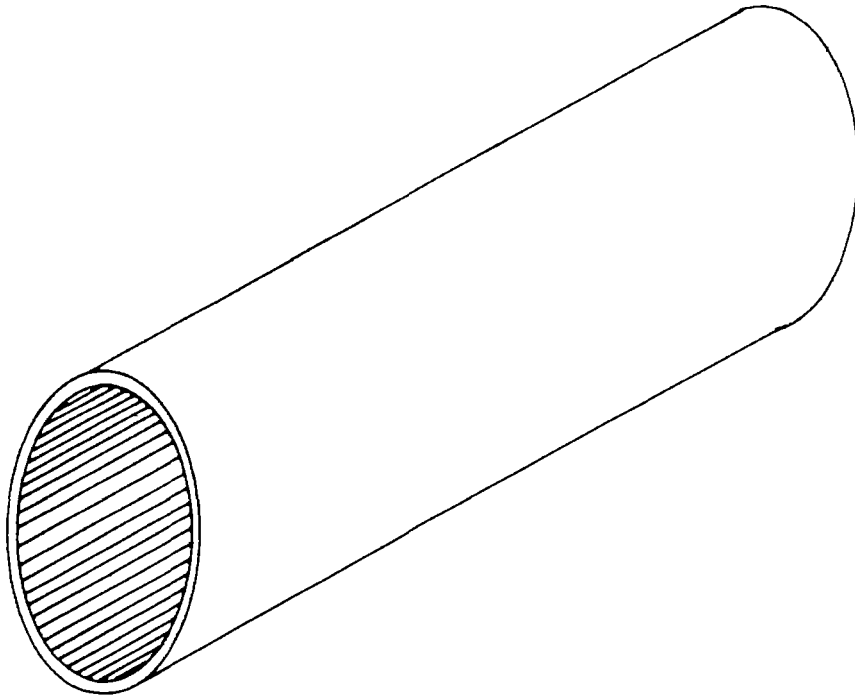


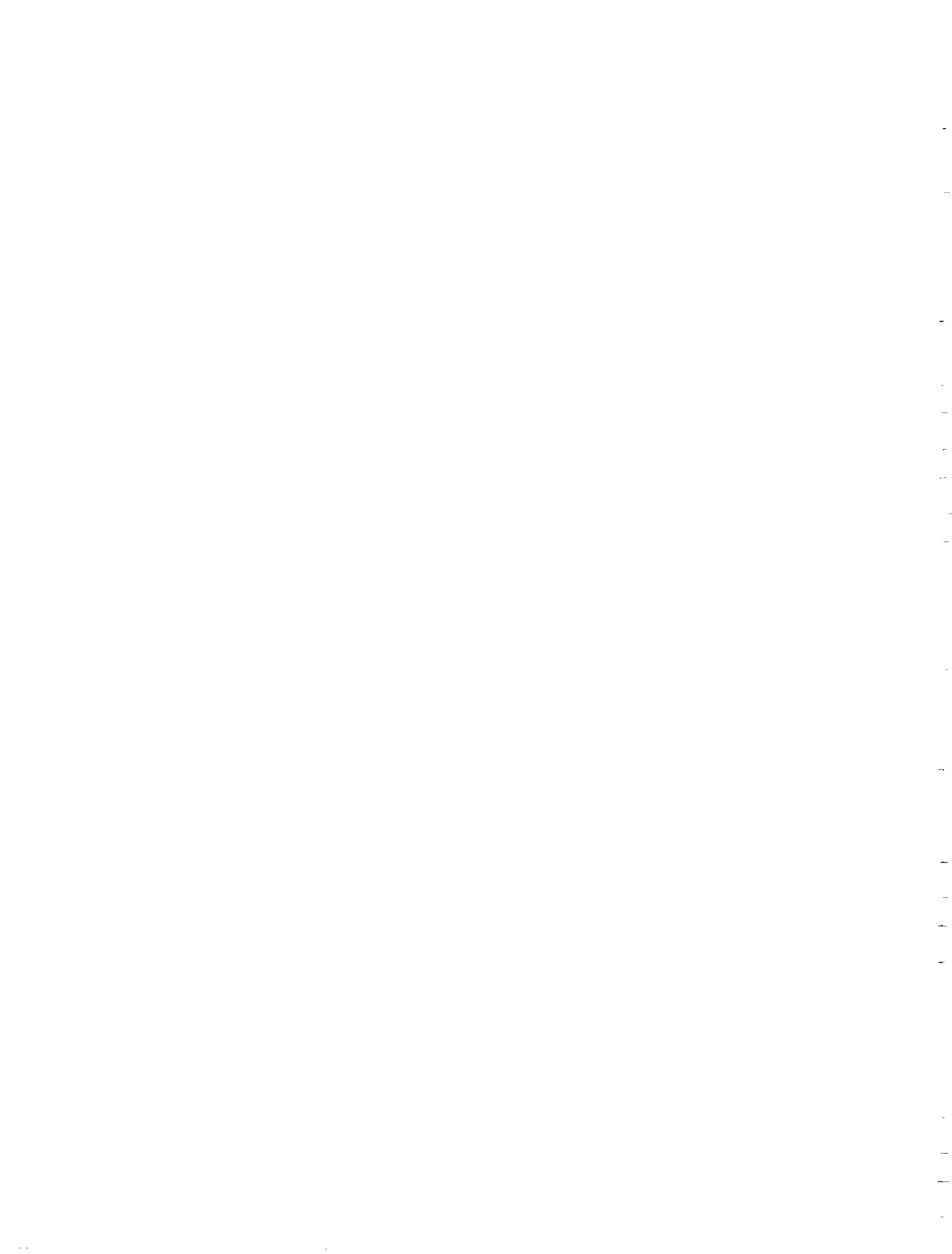
B.C.

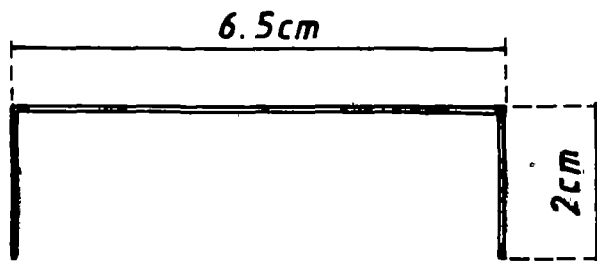
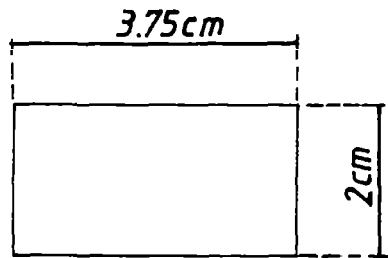
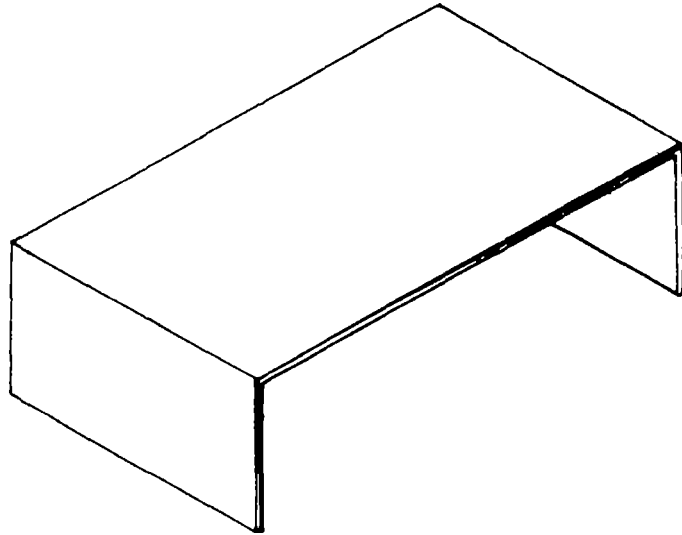














C.f. THE BRAKE SYSTEM

LIST OF MATERIALS

Amount	Materials	Measures	Section
1	Rod	$\frac{1}{2}$ x 10 cm	Brake lever
1	Rod	$\frac{1}{4}$ x 17 cm	Lever stop pin
2	Pipes	$\frac{1}{2}$ x 2 cm	Bushings
1	Smooth rod	$\frac{3}{8}$ x 10 cm	Brake system frame
1	Smooth rod	$\frac{3}{8}$ " x 18 cm	Brake system frame

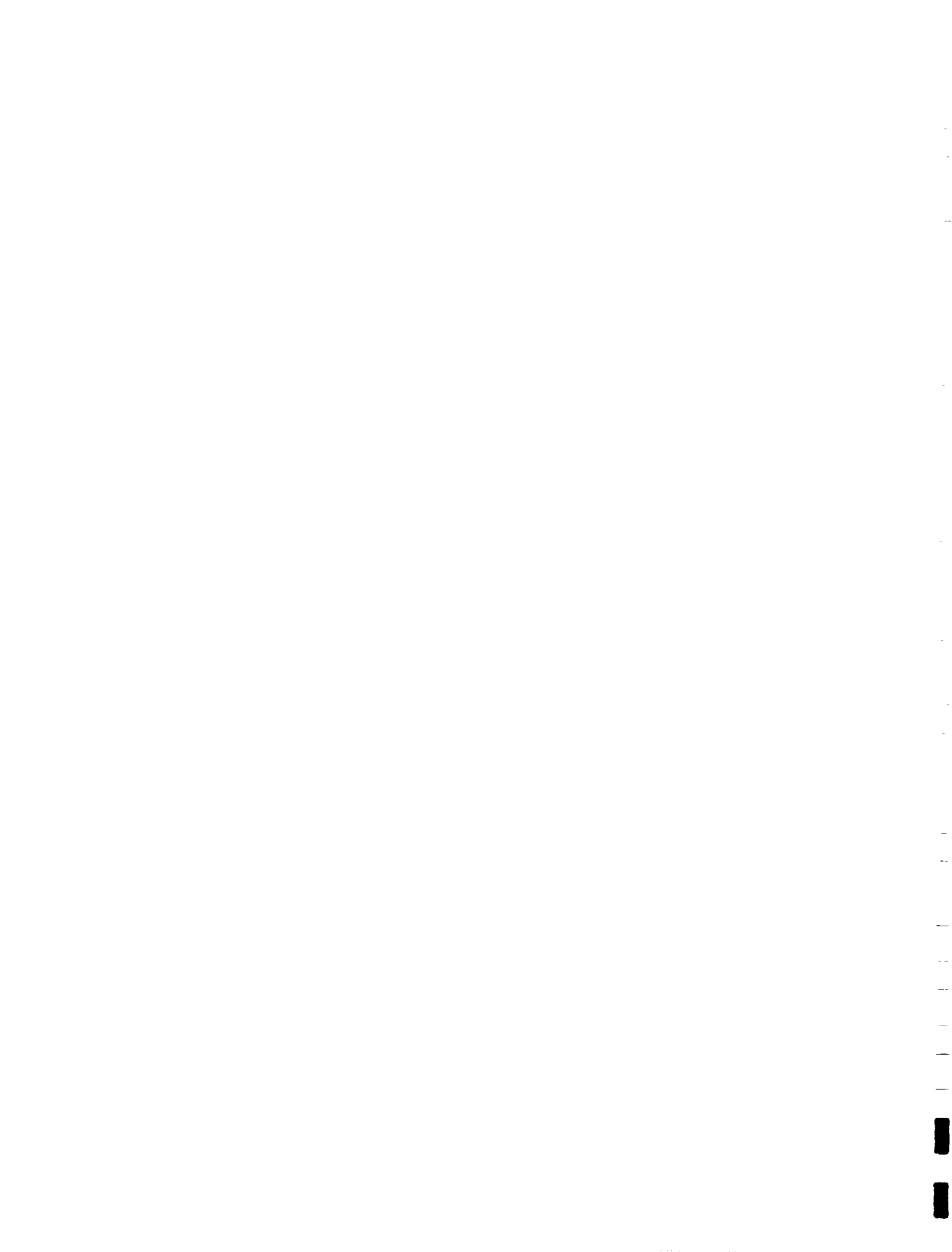


C-f-01

B.C.

1

3.5cm



C.g. UPPER AND LOWER SUPPORTS

LIST OF MATERIALS

Amount	Materials	Measures	Section
1	Steel strip	1/8" x 1" x 69 cm	Upper support
2	Smooth rods	1/4" x 10 cm	Upper support clamps
2	Steel strips	1/8" x 1"x 10 cm	Clamps
2	Steel strips	1/8" x 3/4" x 6 cm	Clamp holders
2	Steel strips	1/8" x 1" x 20 cm	Lower supports
1	Black pipe	1 1/4" x 2.5 cm	For pumping pipe
1	Black pipe	1 1/2" x 2.5 cm	For return pipe

- The community well pump has two upper supports and two lower supports which keep pipes in place.
- Nipple diameter varies with well depth. Three different size clamps are used for the upper support: 2" (0 - 11 meters), 1 1/2" (11 - 19 meters) and 1" (19 - 50 meters). They correspond to the PVC pipe nominal diameter.
- Return pipe diameter does not vary, thus just one clamp is used for the upper support for the 1 1/2" PVC pipe.
- The centre of the lower support for the pumping pipe has a nominal diameter of 1 1/4"
- The centre of the lower support for the return pipe has a nominal diameter of 1 1/2".

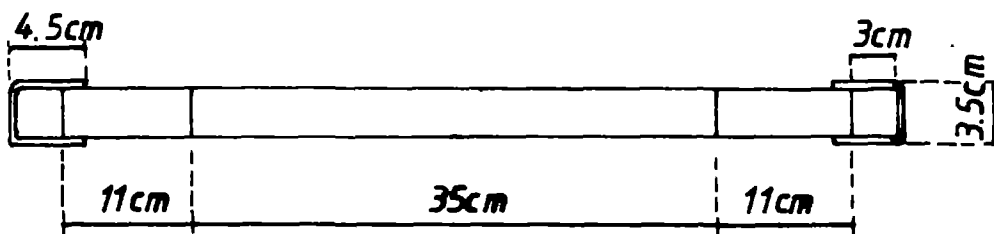
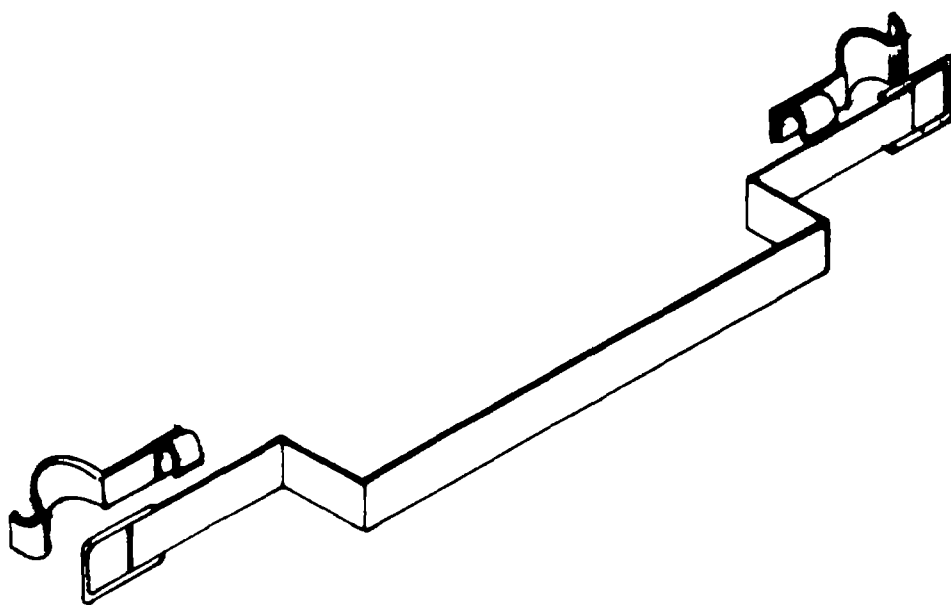


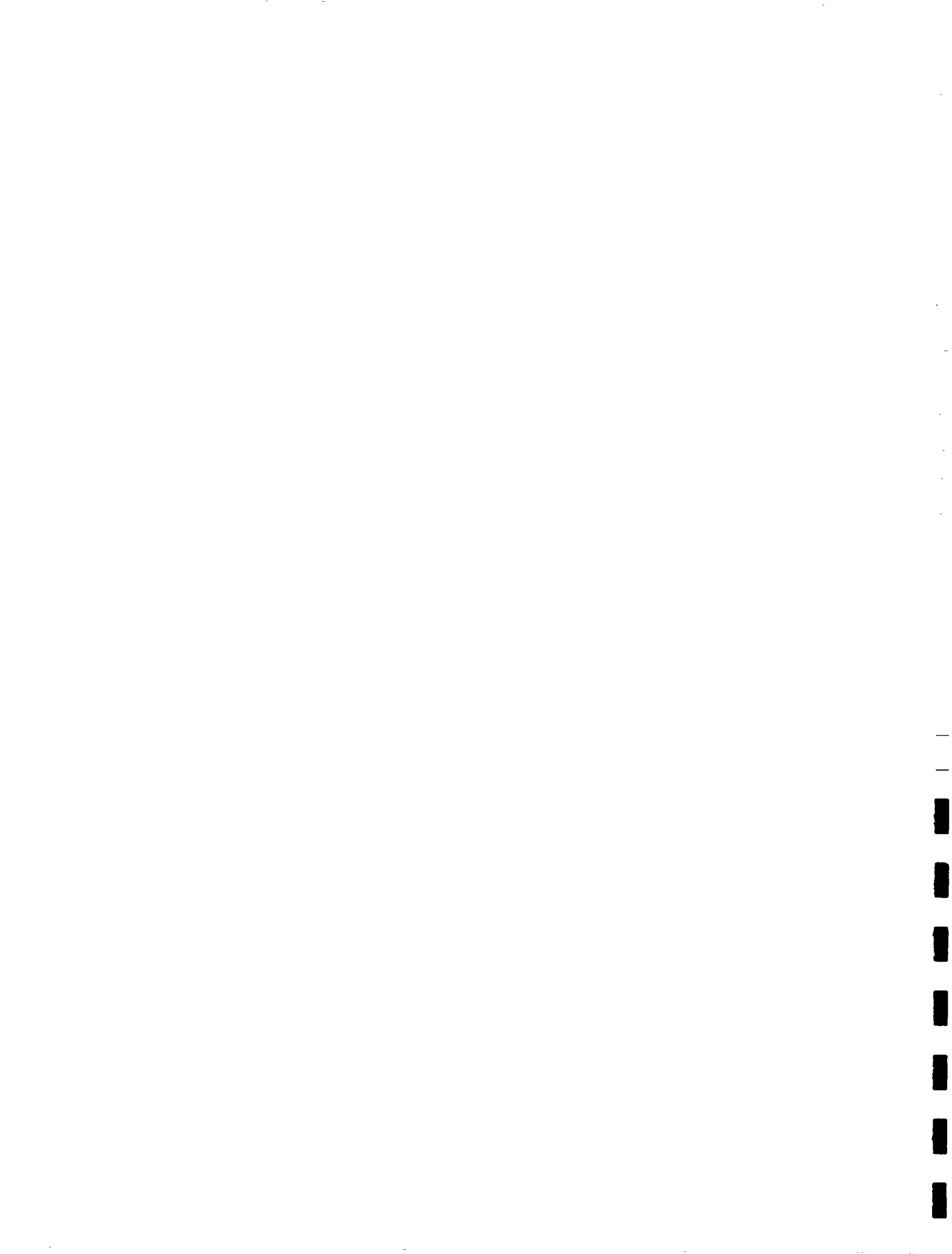
C-g-01

B.C.

29cm

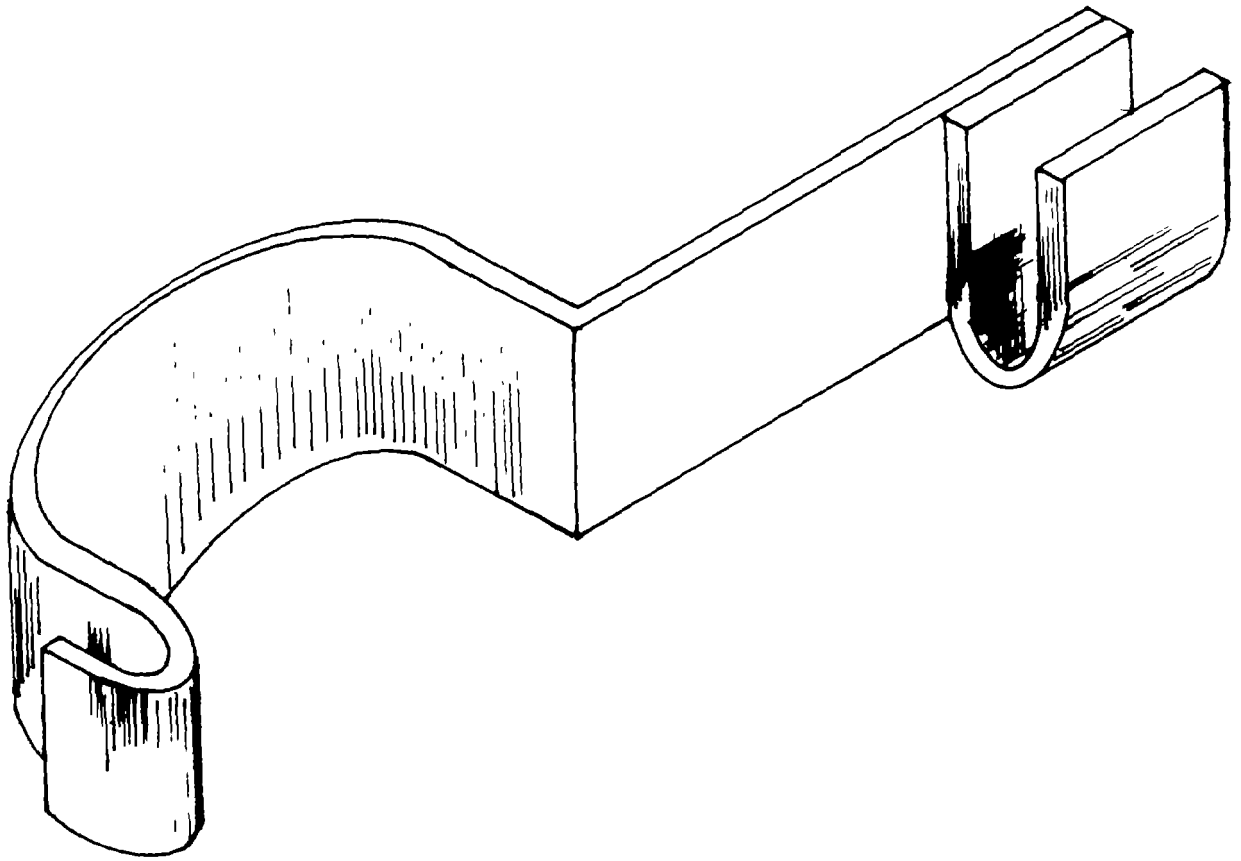






C-g-03

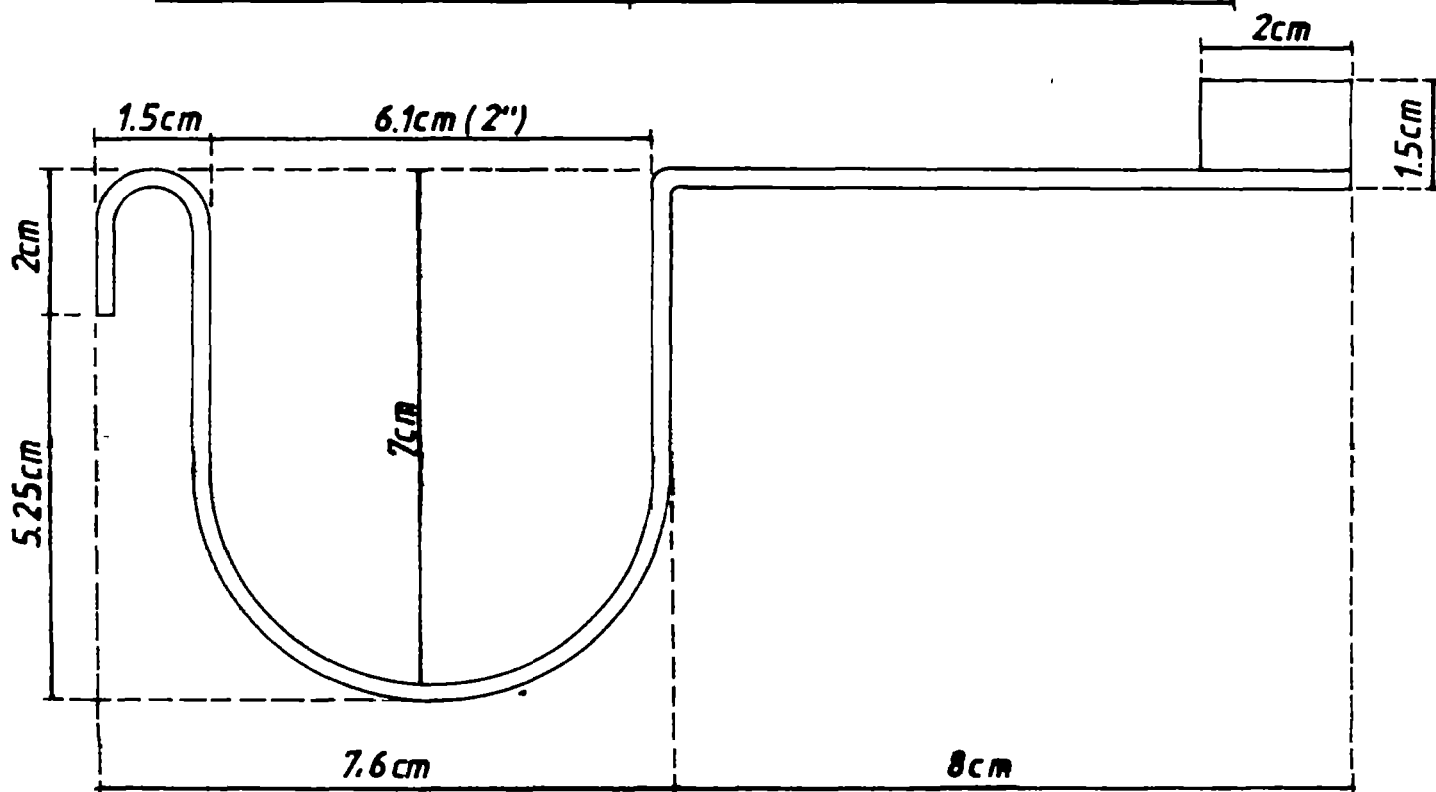
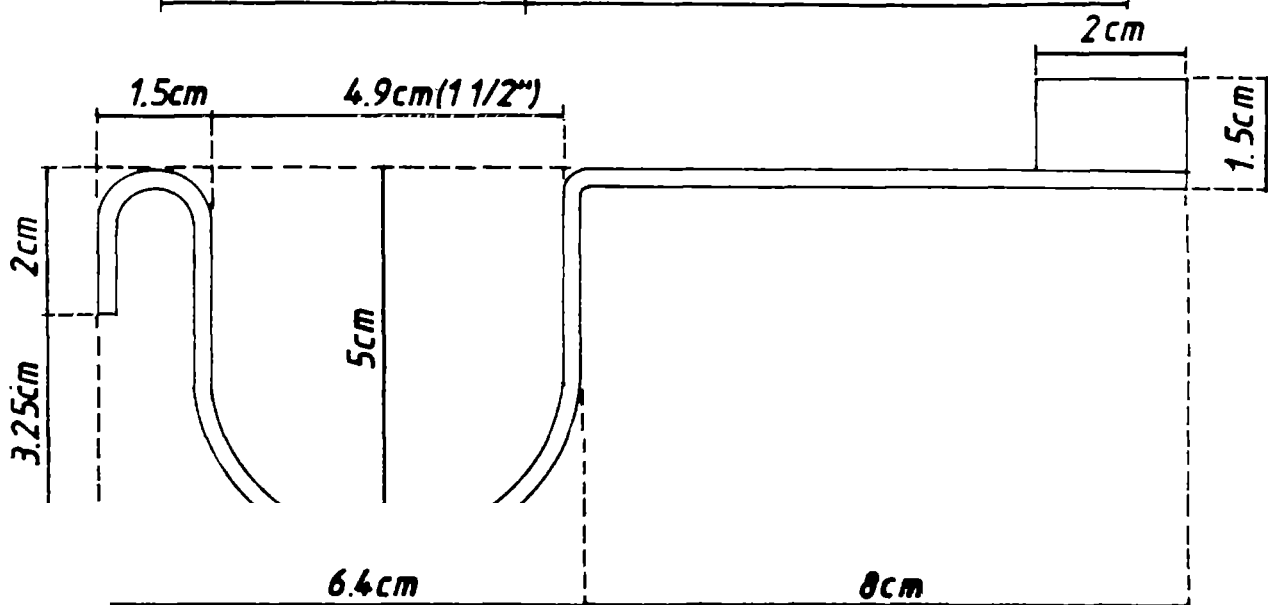
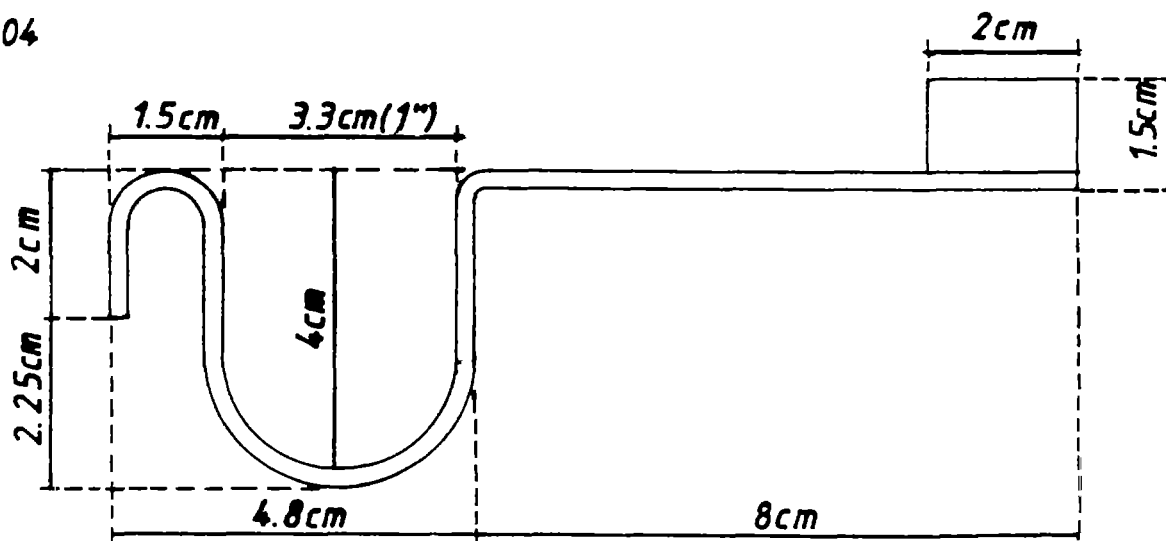
B.C.

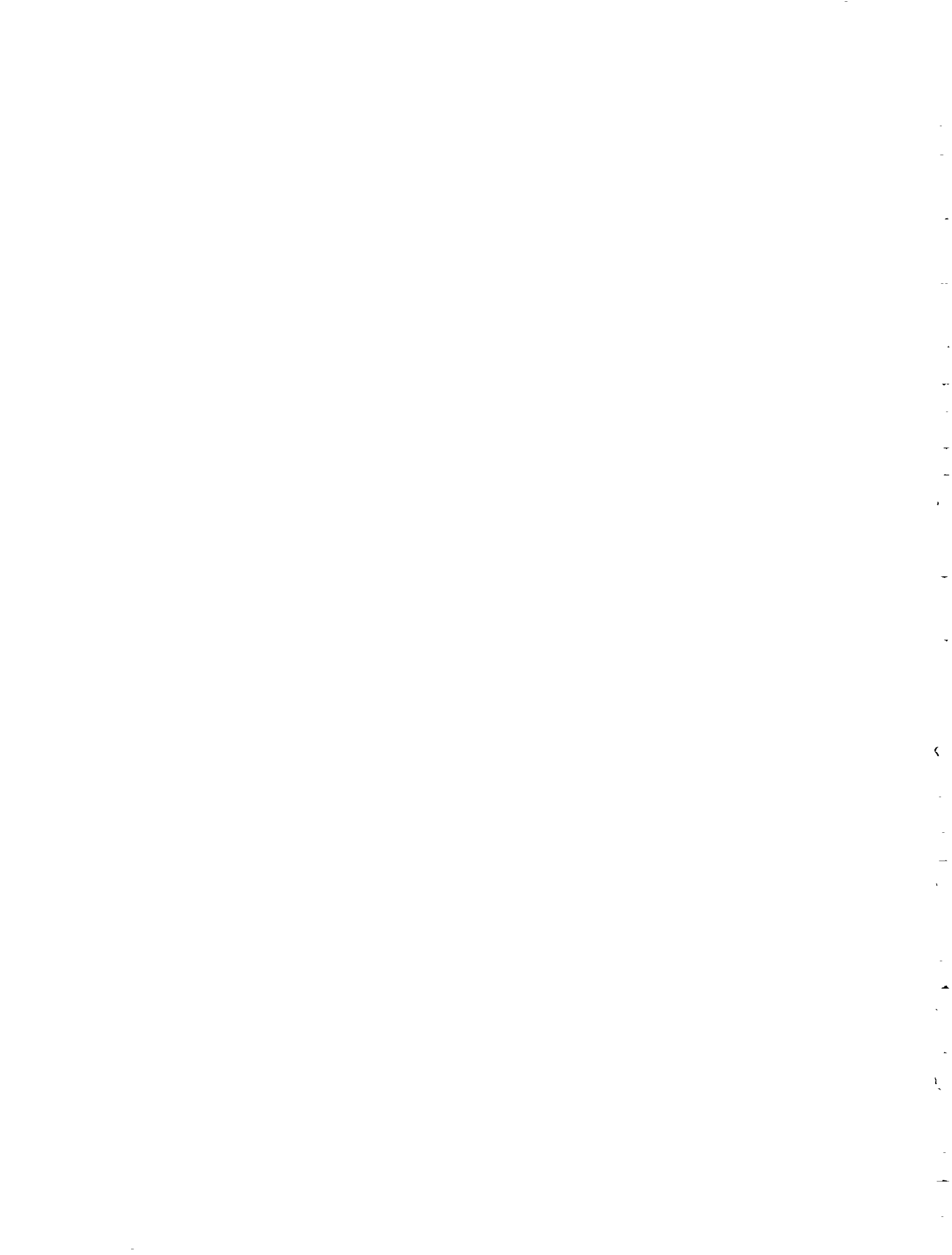


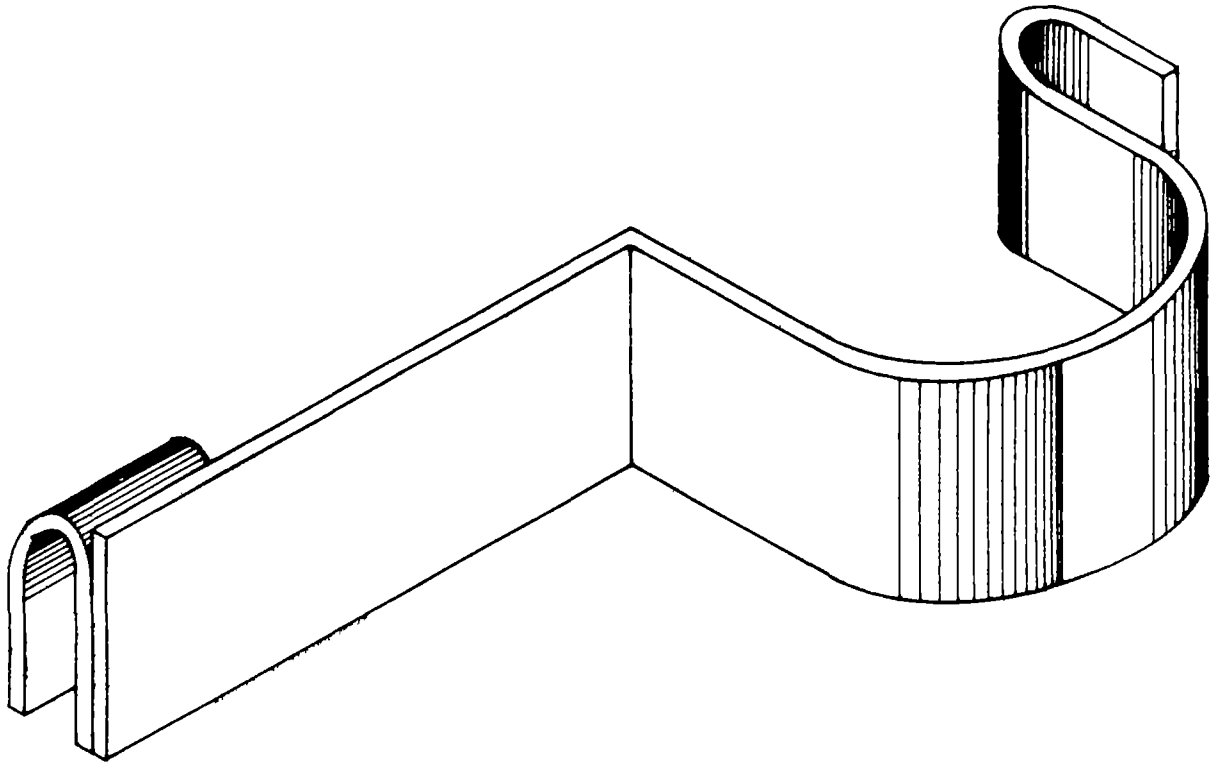
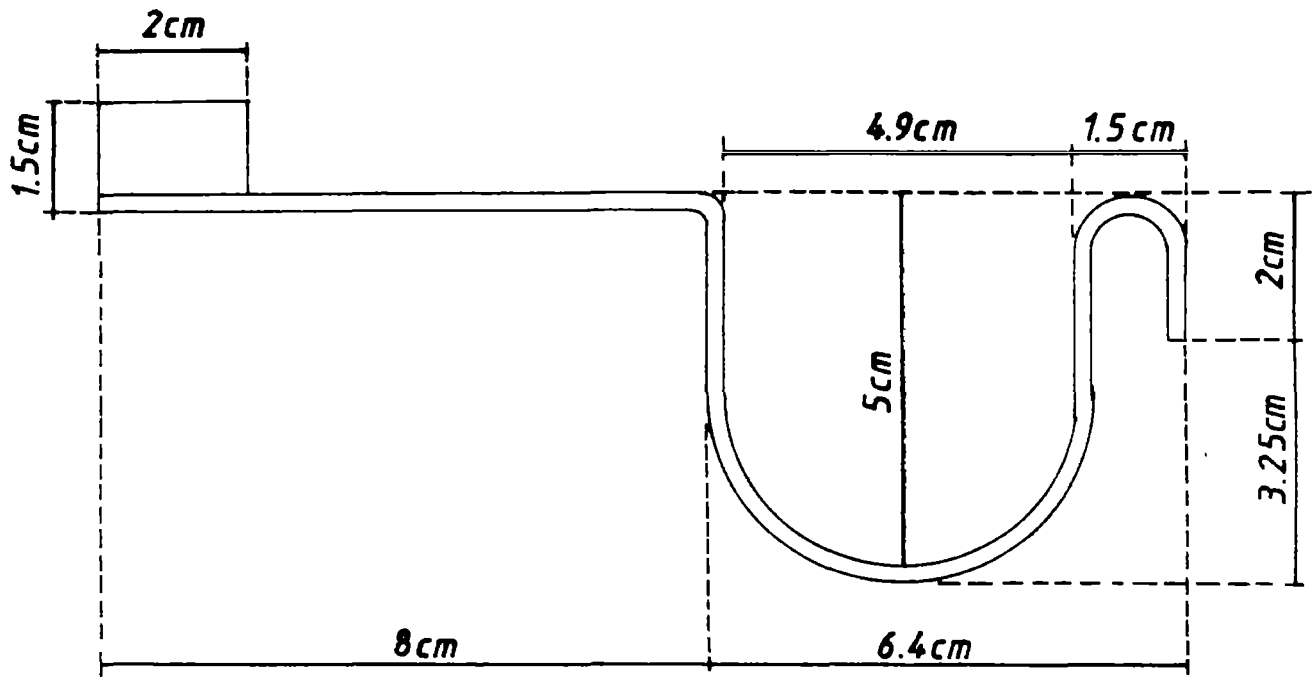


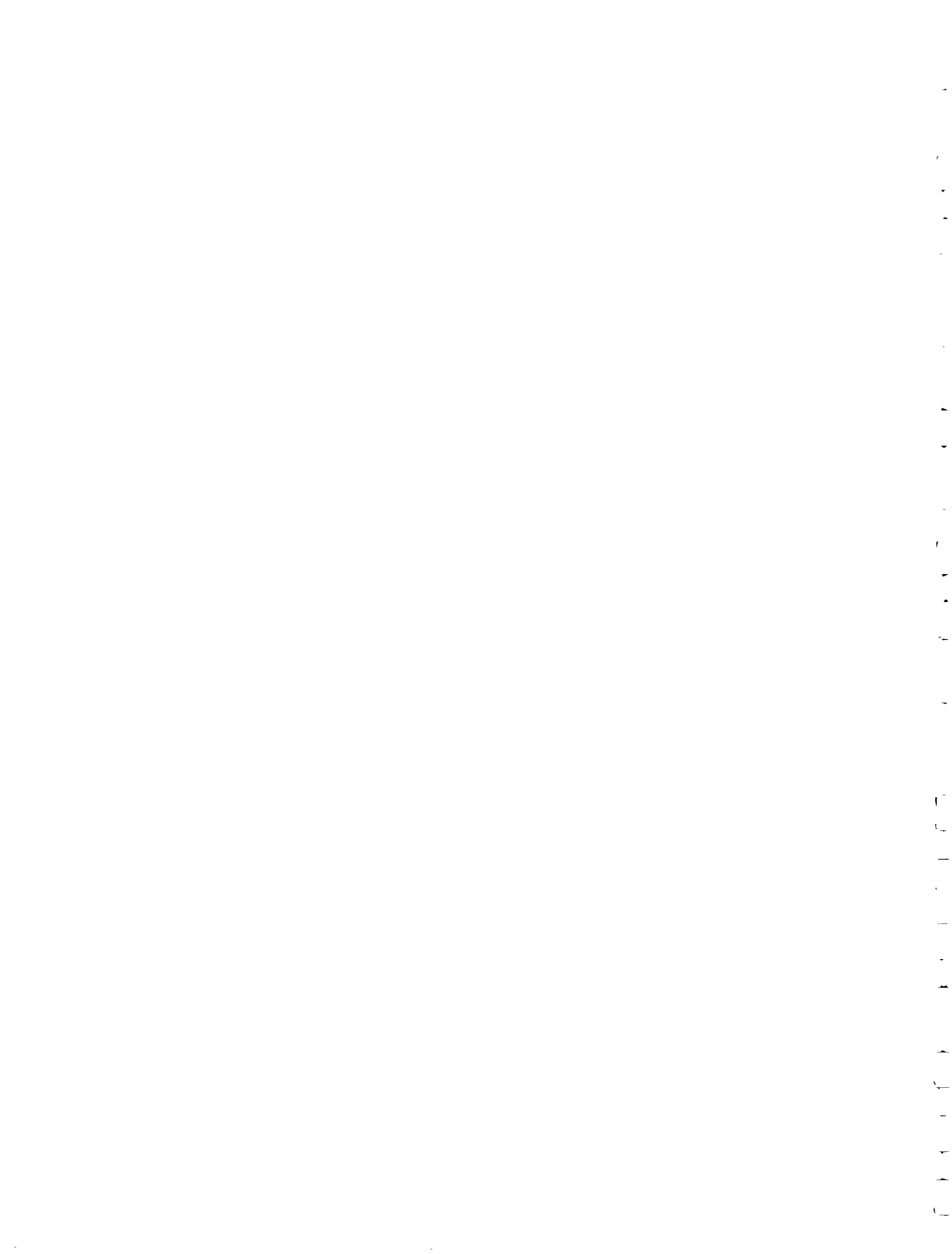
C-g-04

B.C.





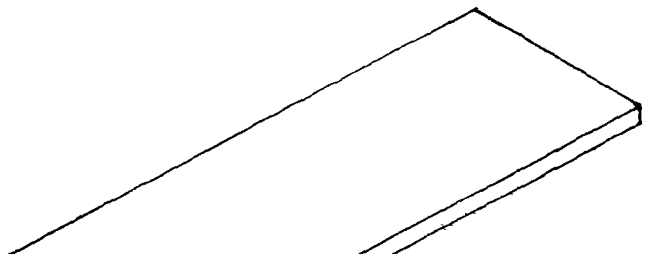




C-g-06

B.C.

|
|
|



|

|

|

|

|

|

|

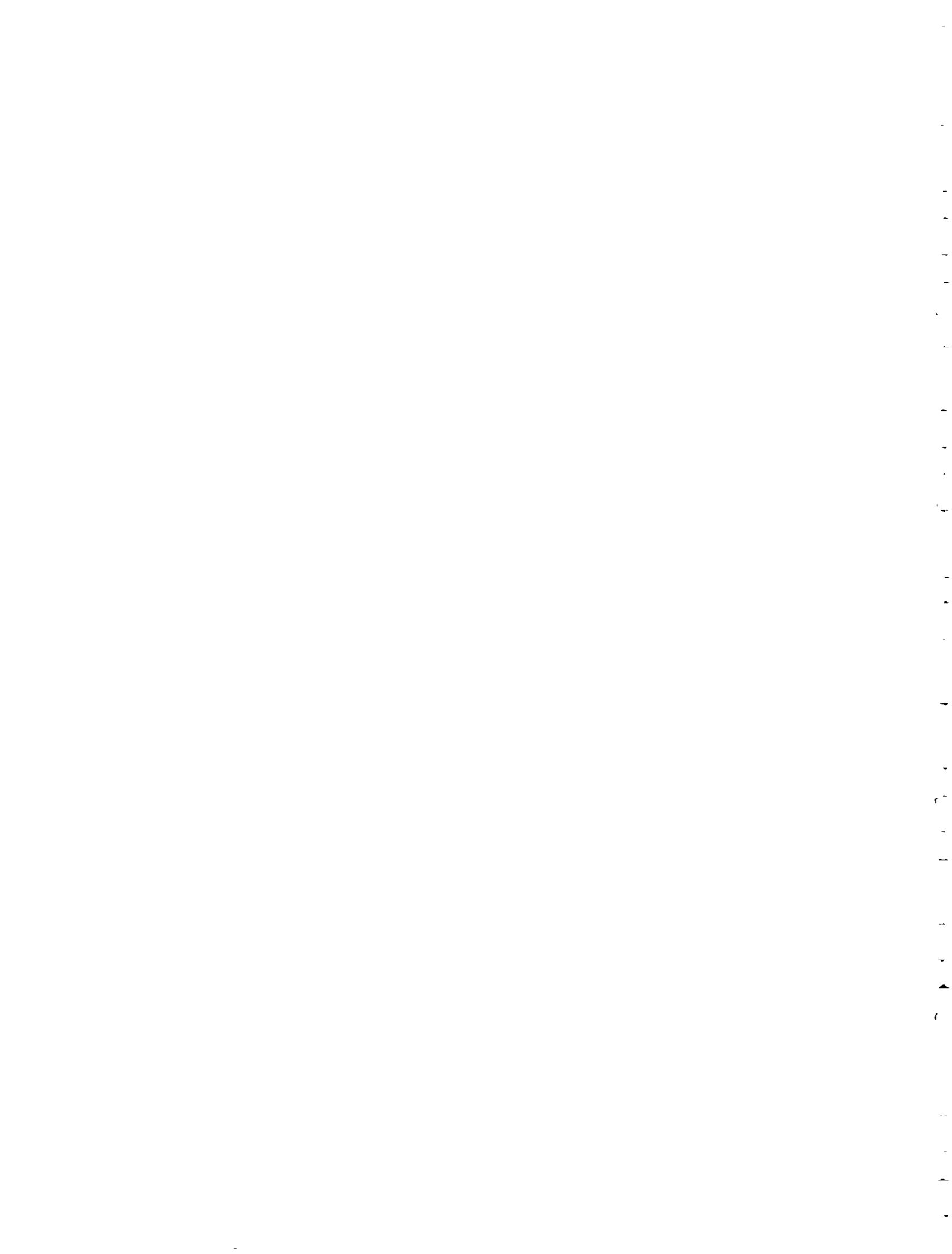
|

|

|

|

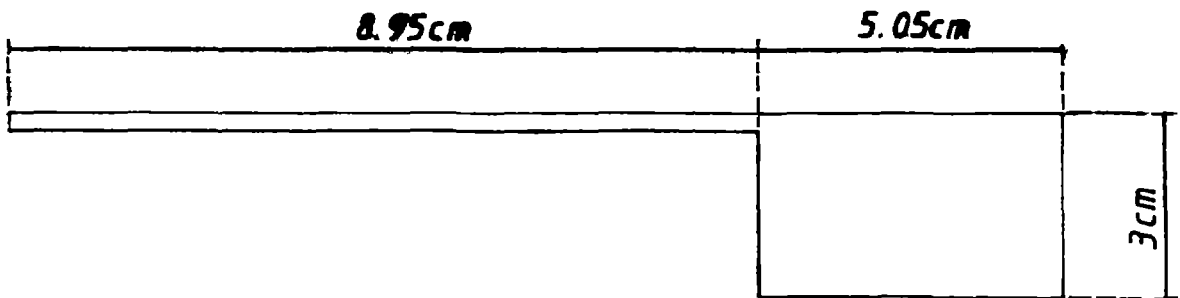
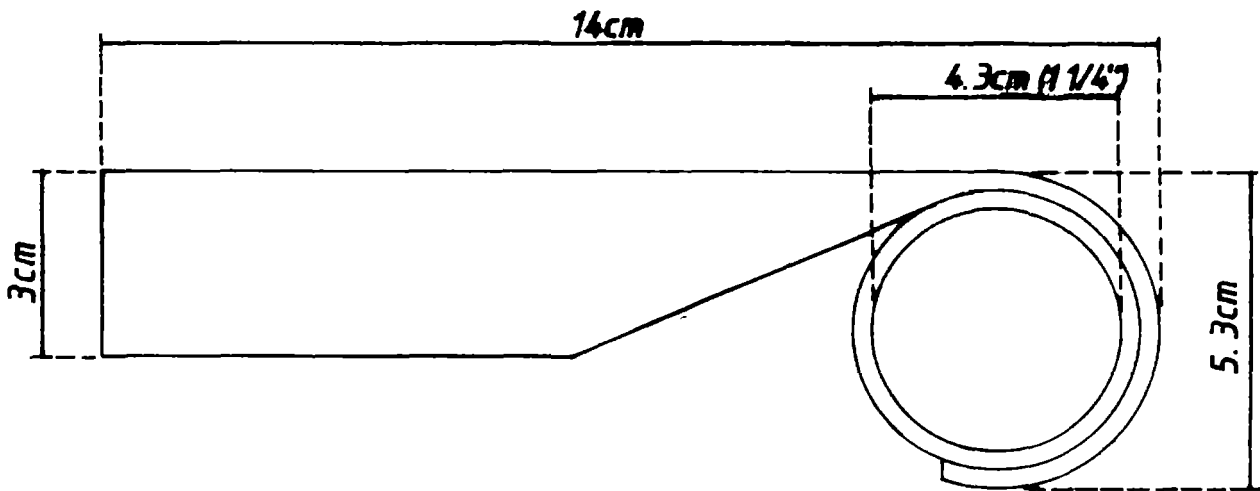
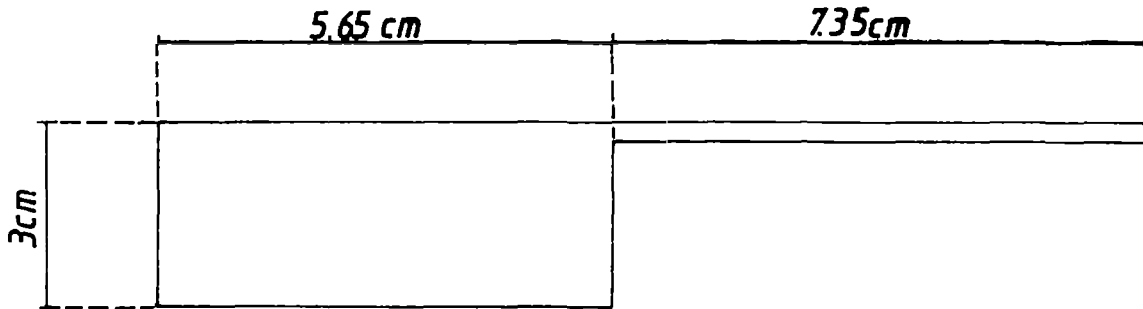
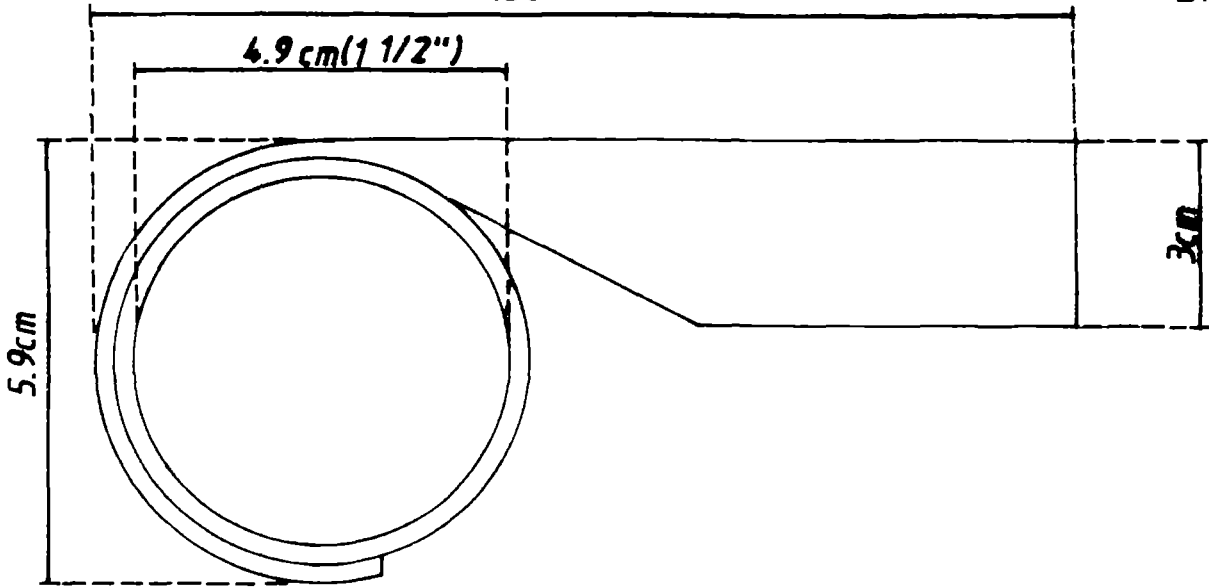
|

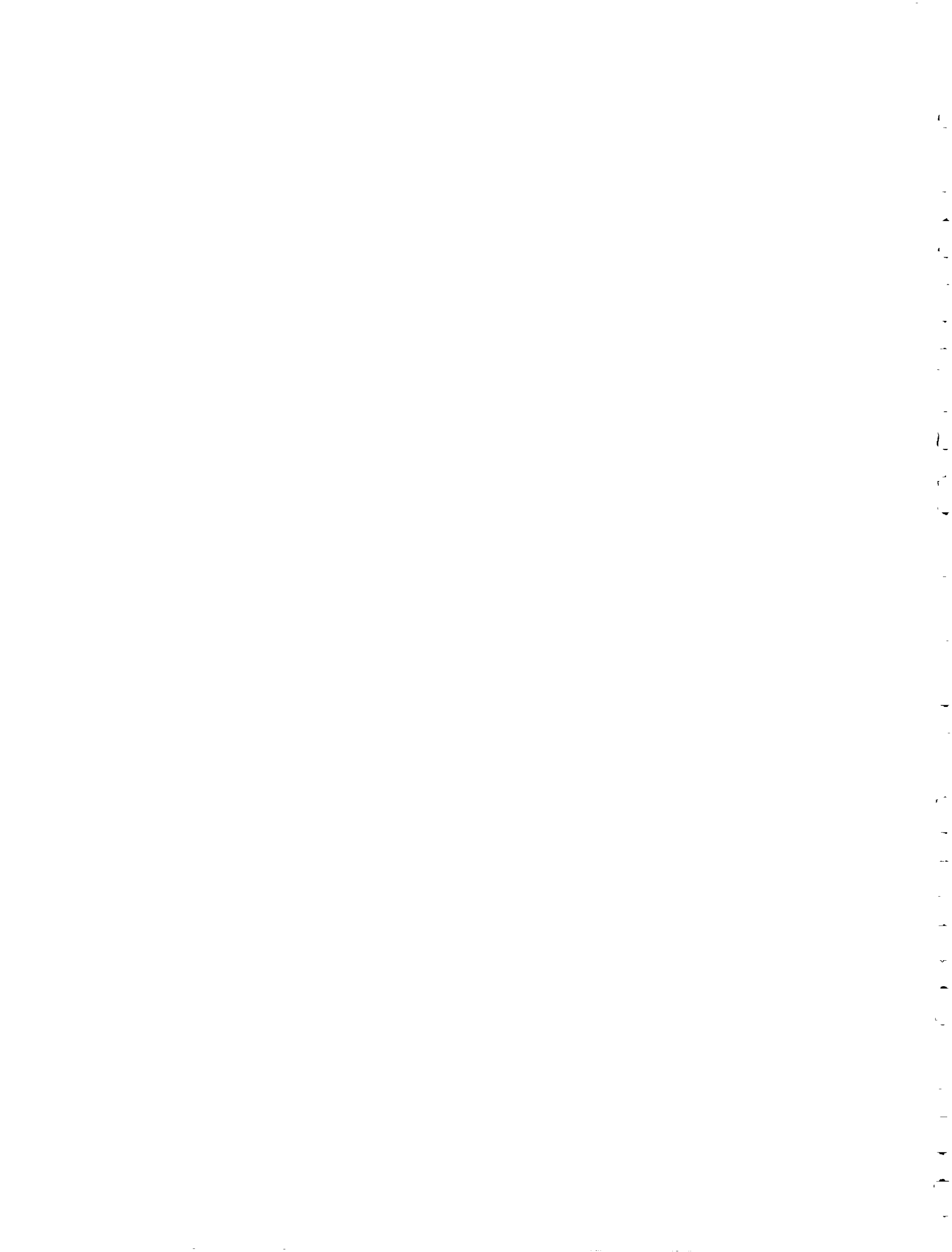


C-g-07

13cm

B.C.



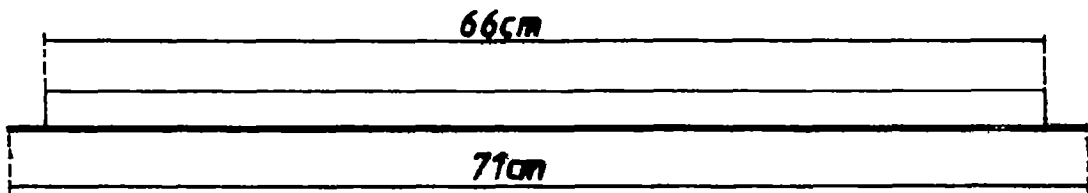
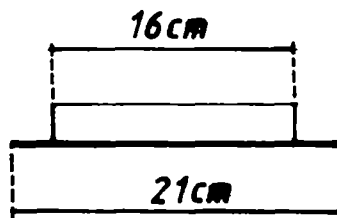
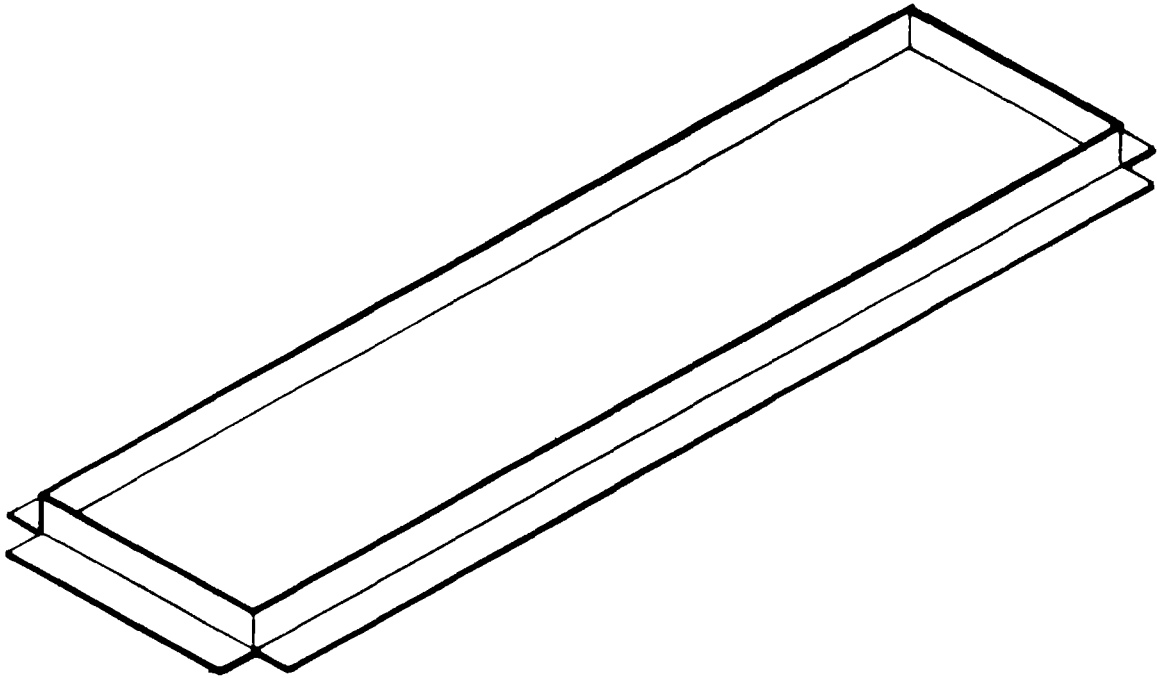


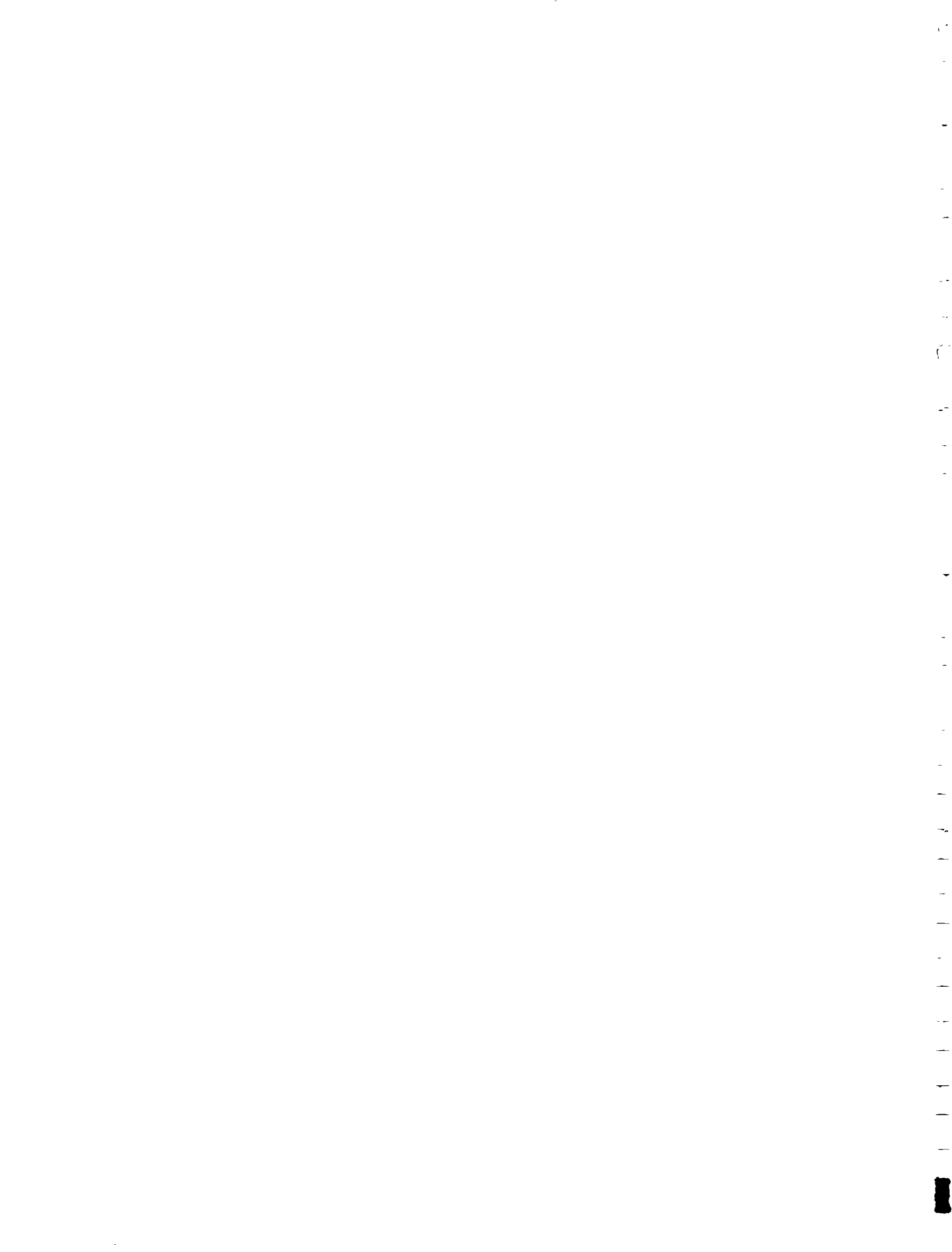
C.h. COVER FRAME

LIST OF MATERIALS

Amount	Materials	Measures	Section
2	Angle irons	1" x 66 cm	Frame
2	Angle irons	1" x 16 cm	Frame
1	Rod	3/8" x 42 cm	Frame support



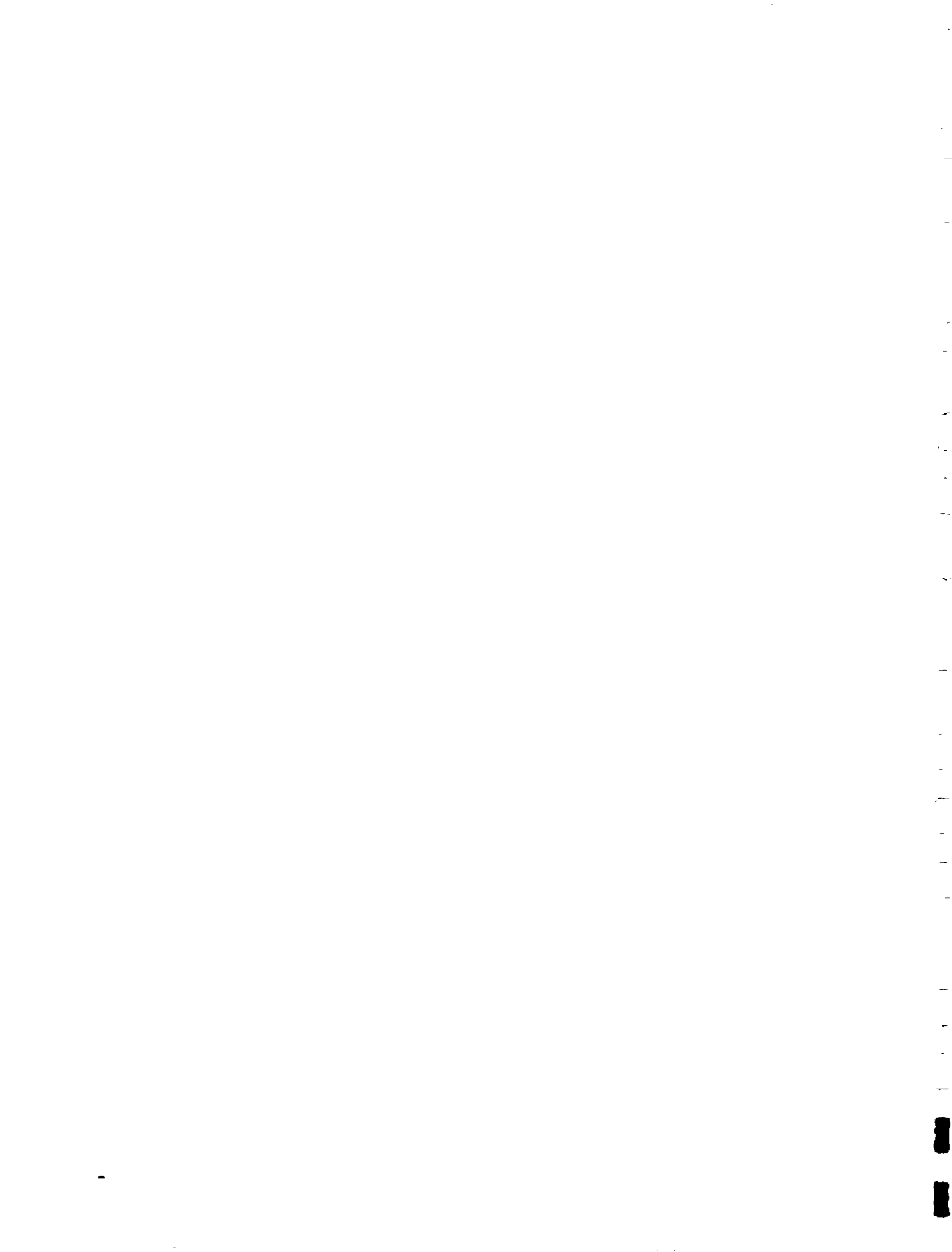


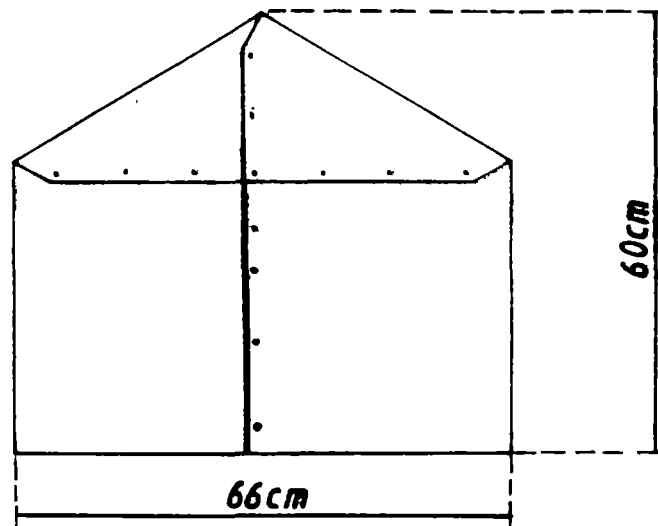
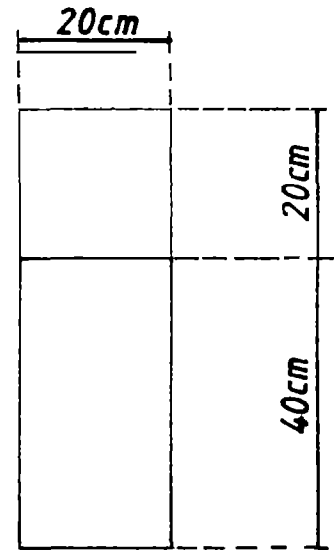
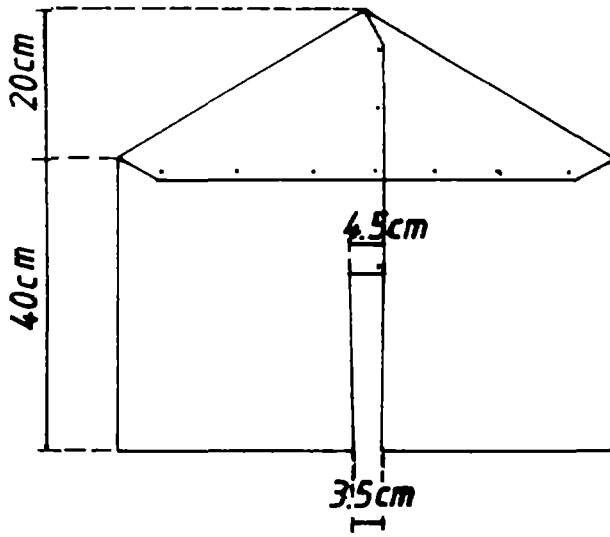
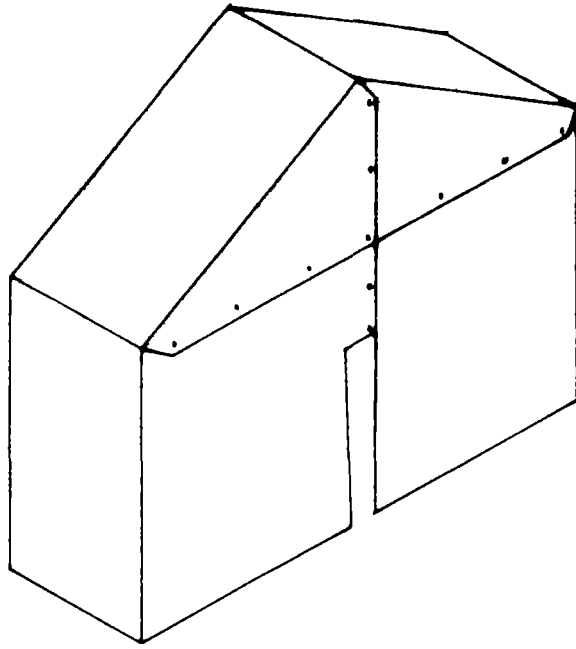


C.i. WHEEL COVER

LIST OF MATERIALS

Amount	Materials	Measures	Section
1	smooth zinc sheet caliber 24	89 cm. x 158 cm	Cover







D. INSTALLATION ACCESSORIES

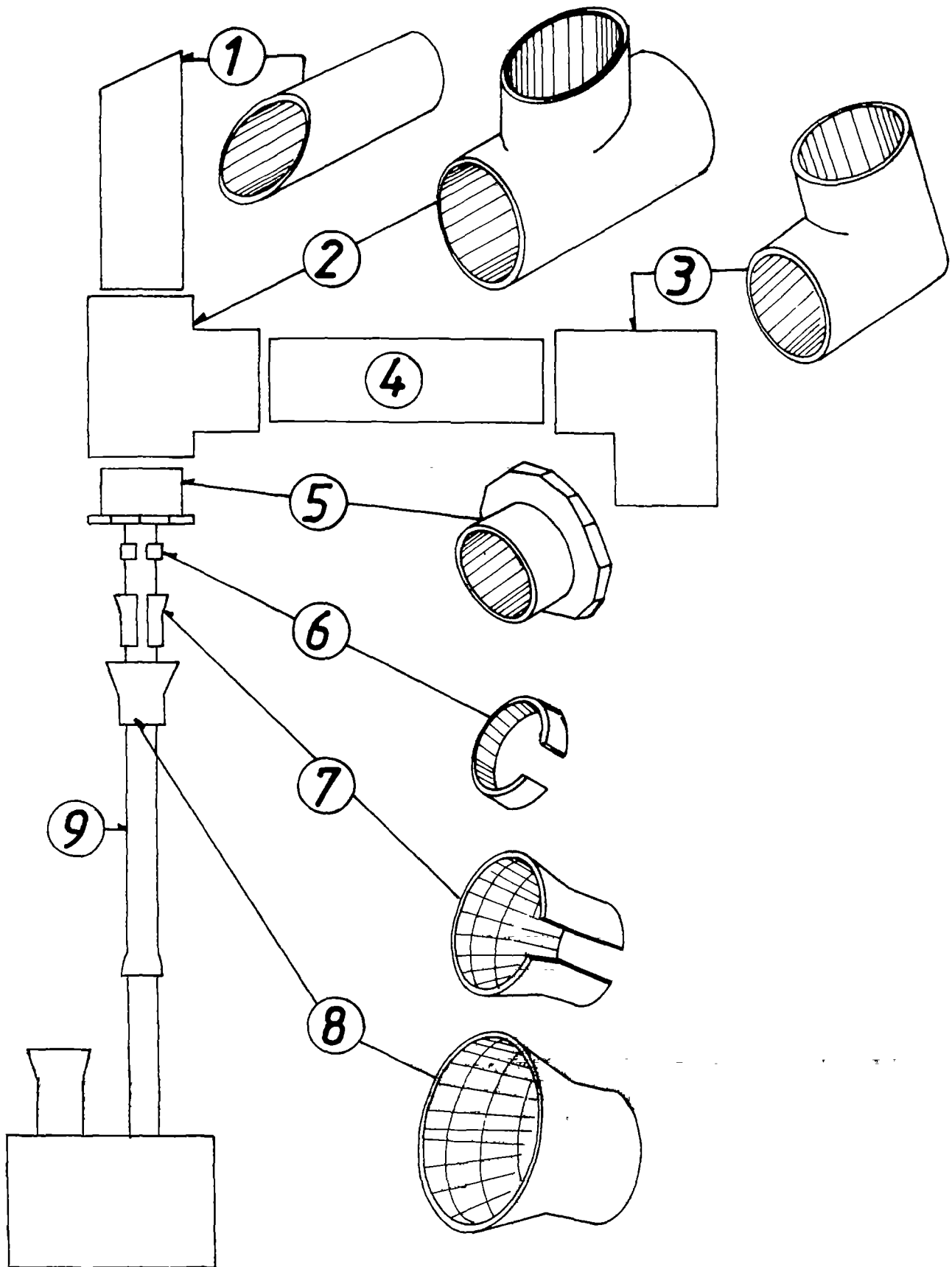
ROPE PUMP INSTALLATION (0 - 11 meter deep)

INSTALLATION ACCESSORIES

No.	Accessories	Unit	DEPTH
			0 - 11 meters
1	Nipple	Inches	2 "
2	Tee	Inches	2 "
3	Discharge elbow	Inches	2 "
4	Discharge pipe	Inches	2 "
5	Reduction	Inches	2 - 1 "
6	Primary wedge	Inches	1 "
7	Secondary wedge	Inches	1 "
8	Supporting wedge	Inches	1 1/4 "
9	Pumping pipes	Inches	1 "

- Installation accessories vary according to well depth.
- The community well rope pumps are installed on a concrete cover and a drainage apron is constructed around the head wall.







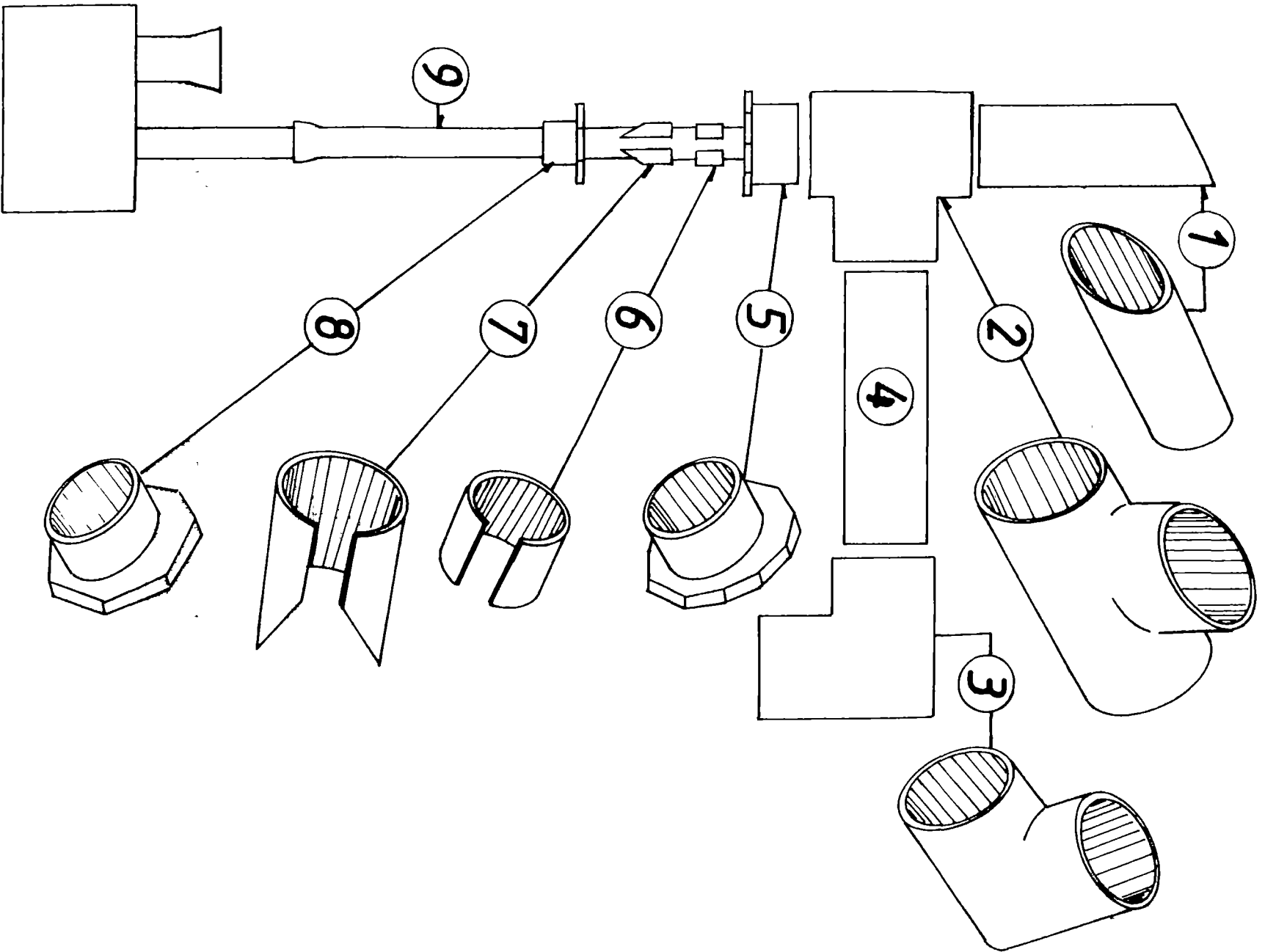
ROPE PUMP INSTALLATION
(19 - 50 meter deep)

INSTALLATION ACCESSORIES

No.	Accessories	Unit	DEPTH	
			11 - 19 meters	19 - 50 meters
1	Nipple	Inches	1 ½ "	1 "
2	Tee	Inches	1 ½ "	1 "
3	Discharge elbow	Inches	1 ½ "	1 "
4	Discharge pipe	Inches	1 ½ "	1 "
5	Reduction	Inches	1 ½ - 3/4 "	1 - ½ "
6	Primary wedge	Inches	3/4 "	½ "
7	Secondary wedge	Inches	3/4 "	½ "
8	Reduction	Inches	1 1/4 - 1 "	1 1/4 - 3/4 "
9	Pumping pipes	Inches	3/4 "	½ "

- Installation accessories vary according to well depth.
- Reduction number 8 is used to keep the pumping piping in place in the lower support.
- The community well rope pumps are installed on a concrete cover and a drainage apron is constructed around the head wall.

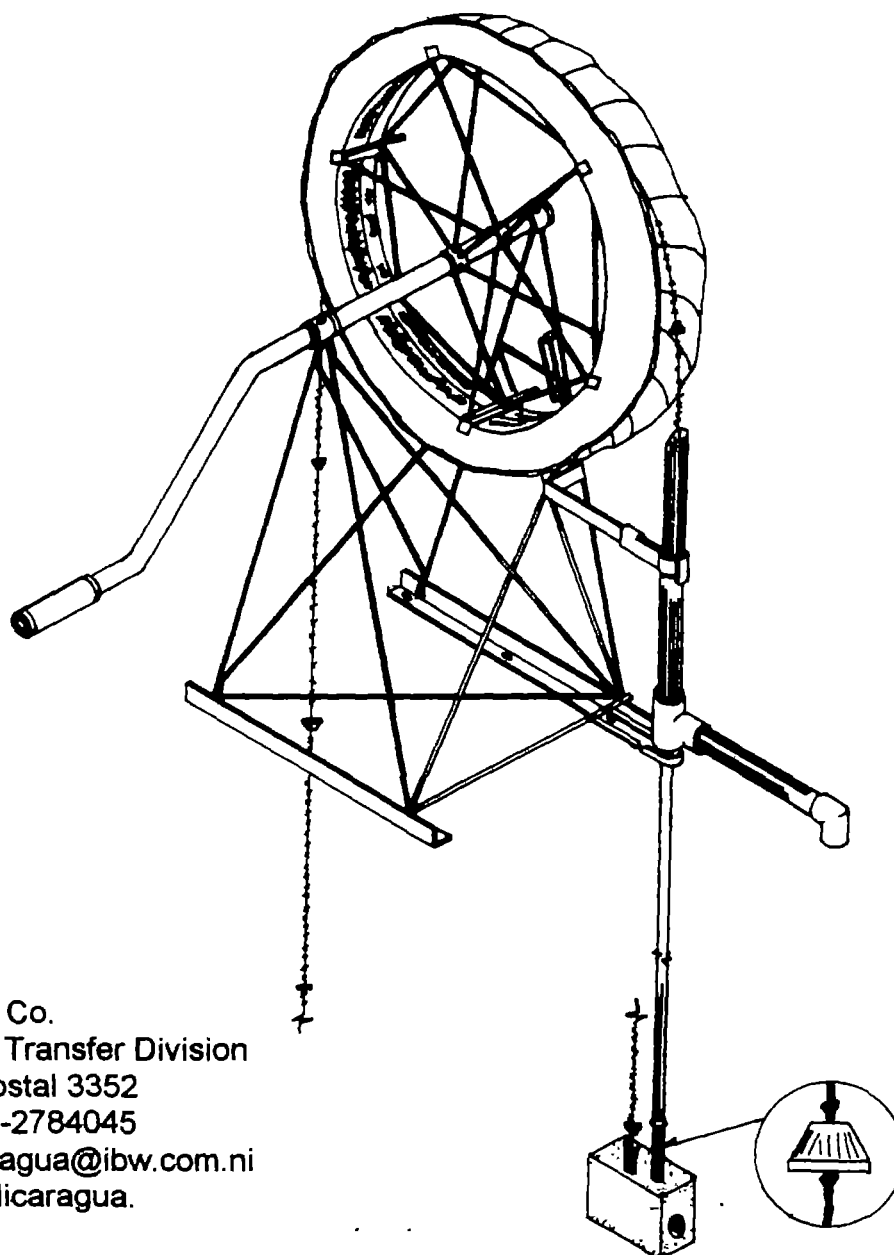






FAMILY WELL ROPE PUMP

MANUAL OF TECHNICAL DRAWINGS

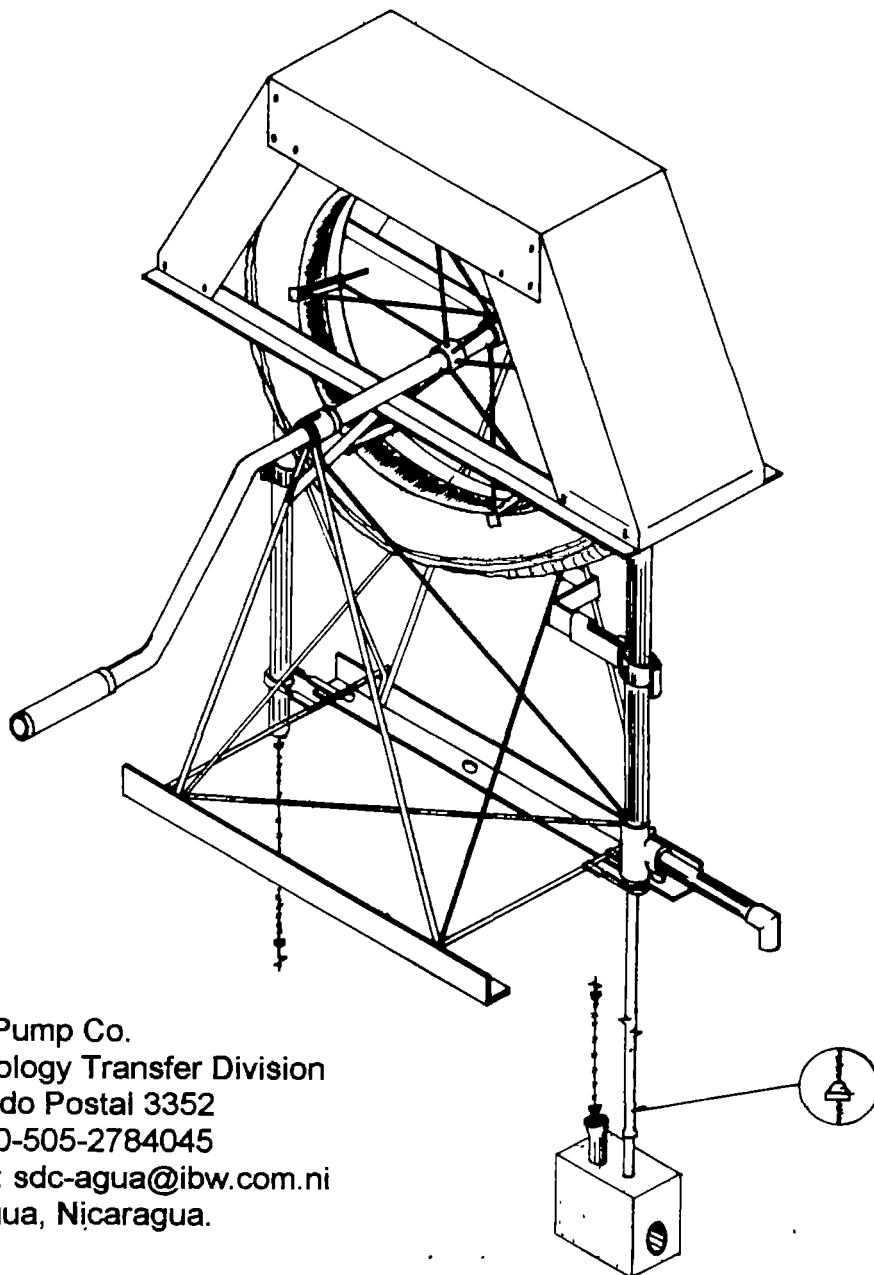


Rope Pump Co.
Technology Transfer Division
Apartado Postal 3352
Fax: 00-505-2784045
E-mail: sdc-agua@ibw.com.ni
Managua, Nicaragua.



EXTRA-STRONG ROPE PUMP

MANUAL OF TECHNICAL DRAWINGS



Rope Pump Co.
Technology Transfer Division
Apartado Postal 3352
Fax: 00-505-2784045
E-mail: sdc-agua@ibw.com.ni
Managua, Nicaragua.



