

SCHOOL SANITATION PROGRAMME

Library
IRC International Water
and Sanitation Centre
Tel.: +31 70 30 689 80
Fax: +31 70 35 898 64

822 BD97

822 -BD97-14990

Objectives of the Programme

- To construct water & sanitation facilities for meeting basic needs & providing privacy & convenience especially for girl students
- To provide opportunities for experiential learning & behavioural development among students & teachers concerning clean environment, sanitation, hygiene & safe water use
- To reach out to parents & other community members for promotion of latrine construction & use as well as adoption of improved hygienic practices at household level

LIBRARY IRC
PO Box 93190, 2509 AD THE HAGUE
Tel.: +31 70 30 689 80
Fax: +31 70 35 899 64
BARCODE: 14990
LO: 822 B097

Objectives of the Programme

- To construct water & sanitation facilities for meeting basic needs & providing privacy & convenience especially for girl students
- To provide opportunities for experiential learning & behavioural development among students & teachers concerning clean environment, sanitation, hygiene & safe water use
- To reach out to parents & other community members for promotion of latrine construction & use as well as adoption of improved hygienic practices at household level

Project Activities

Construction
of 4,320 water supply
& sanitary
facilities since 1992 in
selected primary
schools
of 44 districts.

- i. Briefing of
district & thana
committee members;
- ii. Orientation of thana
core trainers,
- iii. Training of
masons, SMC members
& teachers.

- i. Class room teaching on sanitation, hygiene & safe water use
- ii. Project on construction of latrine at house hold level
- iii. Motivation of parents through their children
- iii. Deworming of school children

Unit Cost per School for Construction of Latrines & 500 Litre Capacity Water tank with Tubewells

**Deep
Tubewell
Tk. 53,000
(US \$ 1216)**

**Tara Tubewell
Tk. 35,000
US \$ 803**

**Shallow
Tubewell
Tk. 32,000
(US \$ 734)**

Cost Item

Earth work
Tk. 296.00
US \$ 7

Brick work
Tk. 13,731
US \$ 315

Construction
Tk. 5394
US \$ 124

Sinking

Tk. 22,854 (US \$ 524) :DTW

Tk. 1647 (US \$ 38) : STW

Tk. 2744 (US \$ 63) : Tara

White wash
Tk. 124
US \$ 3

Cement pluster
Tk. 3801
US \$ 87

Fixing /Fitting /Painting
Tk. 6495
US \$149

Training Cost (Per School)

Training of mason

US \$ 23

**Training of SMC, teachers
& others**

US \$ 13

Coverage of School Sanitation Programme (1992-97)

**Number of
schools
covered
4,320**

**Number of
districts covered
44**

**Number of teachers &
SMC members
Trained/ Oriented
about,42,000**

Information about Mymensingh on construction of WATSAN facilities

1992 - 93

89

1996 - 97

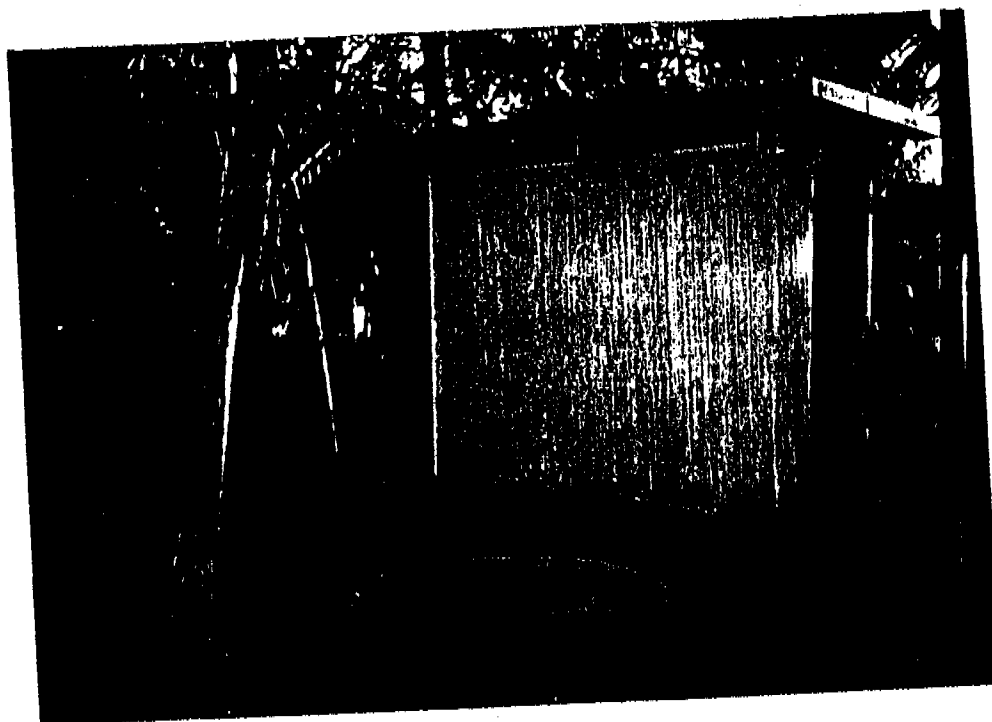
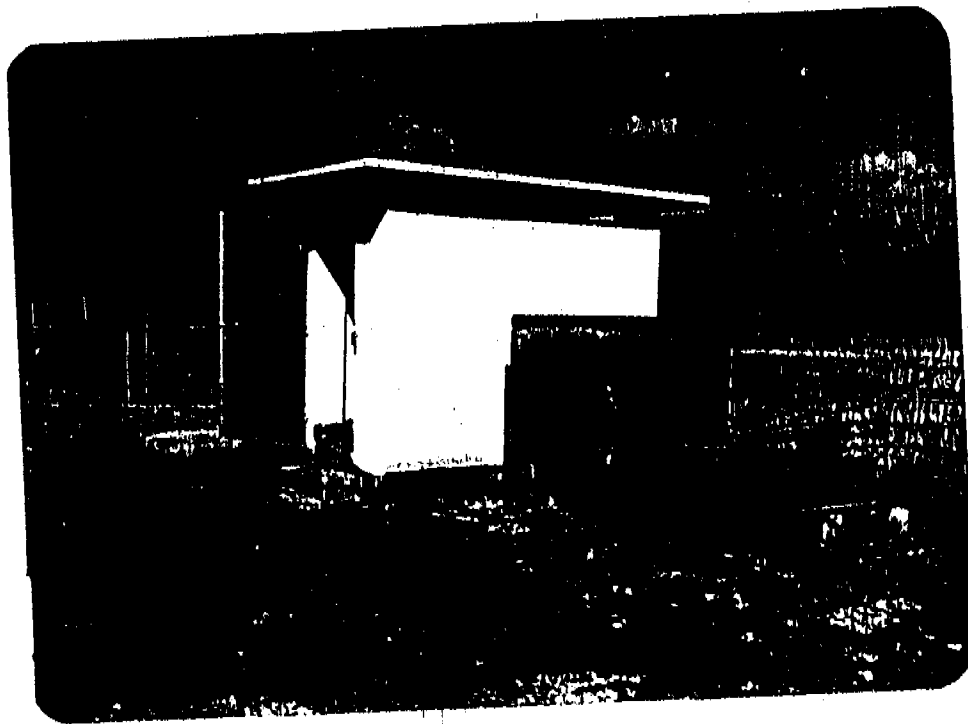
250

1997 - 98

75
on going

TOTAL : 414

Double Unit Latrine Under School Sanitation Programme



The Process

Figure 1. The Process and Concerned Agencies/Actors in the Programme

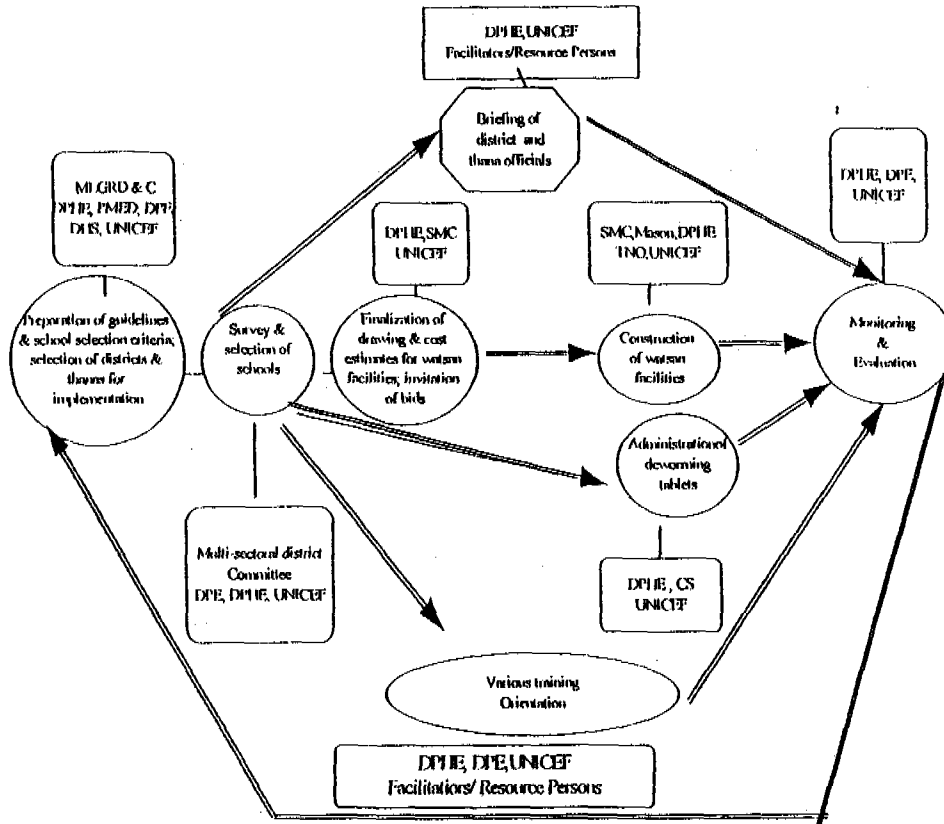
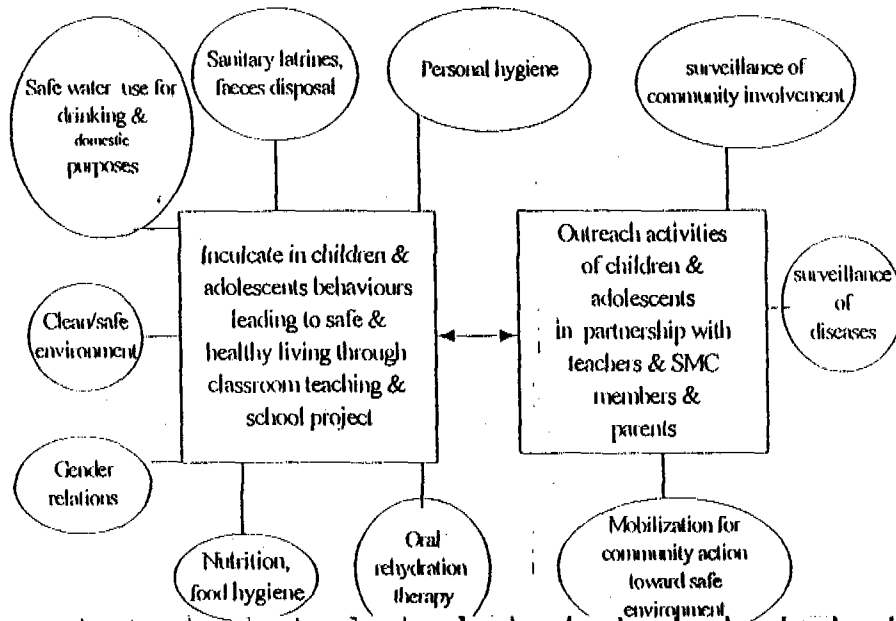


Figure 2. A Framework for School Sanitation & Safe Learning Environment



Criteria for Selection of Schools

- School with no latrine and tubewell
- School with at least 150 students
- School having class rooms with walls
- School with their own land to construct latrine & install tubewell
- Ten percent schools from each thana to be selected from non-government registered schools
- Equitable distribution of schools by union
- Schools having piped water supply should not be selected

Lessons Learned

- Attendance of girl students raised 11% on average.
- Privacy provided for girl students by separate latrine was an important factor
- Quality of construction & maintenance of water & sanitation facilities improved remarkably over the year
- Percentage of running tubewells increased from 68% to 89%
- Satisfactory discharge of water increased from 55% to 95%
- The status of clean & flushed pans increased from 36% to 80%
- Quality of materials used & overall construction by SMC were cost effective as per specification, & plan - design
- Contractors hired by DPHE generally quoted costs that were 80% higher
- SMC promoted & ensured participation, empowerment, & sense of ownership among community
- SMC encouraging local capacity building & better management of WATSAN facilities
- School children are very effective in promoting their parents to build and use sanitary latrines & keep them clean

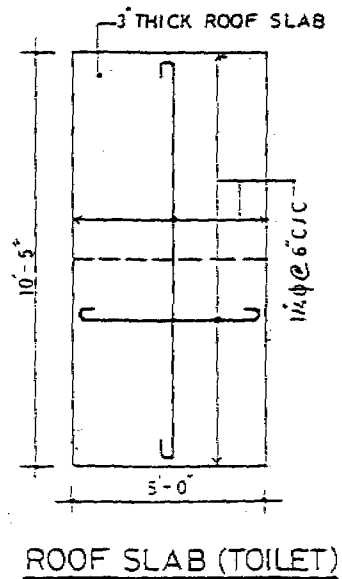
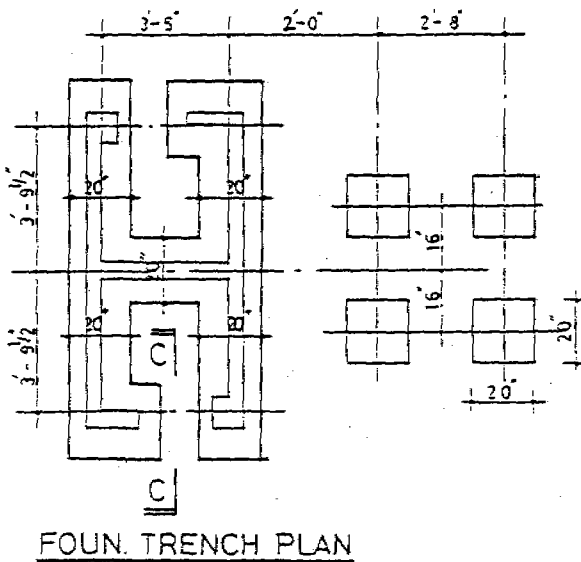
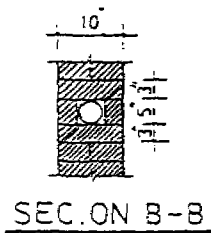
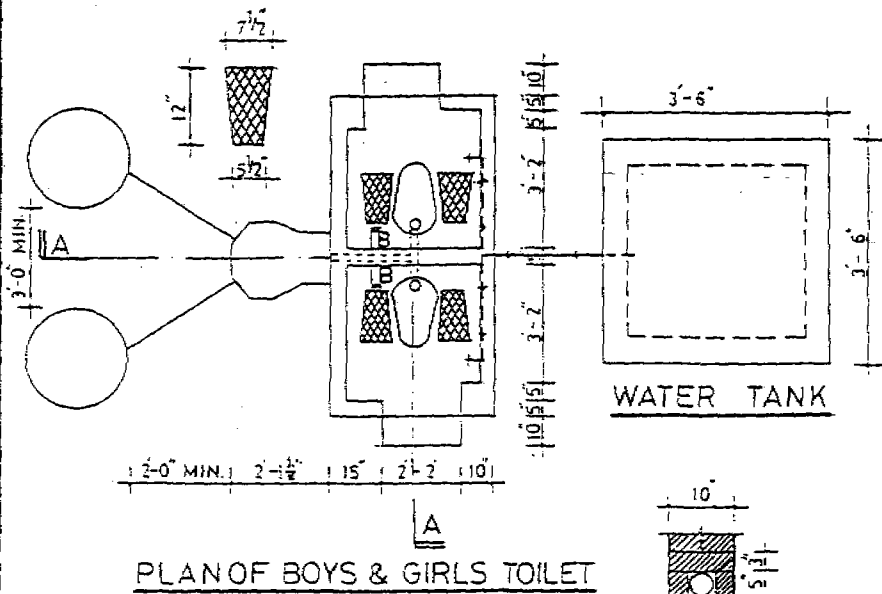
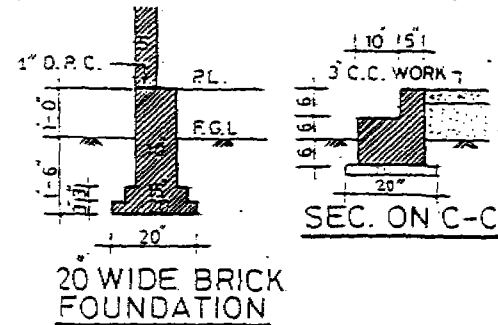
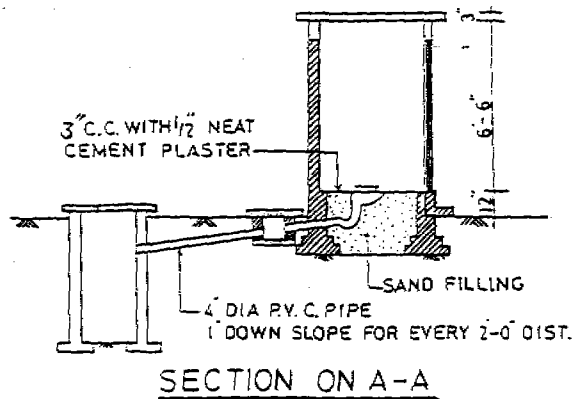
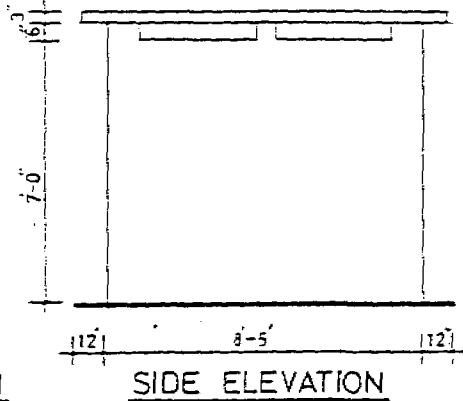
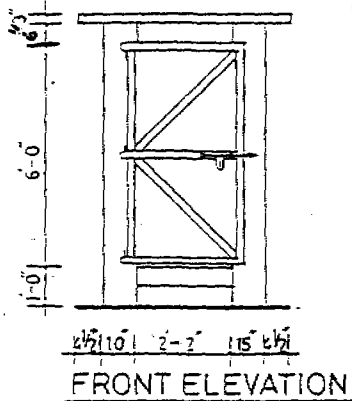
- **Ninety two percent teachers got training & 96% of them are actively teaching lessons on hygiene & sanitation**
- **Fund for maintaining WATSAN facilities raised from 7% schools (1994) to 44% schools (1995)**
- **Soap or ash was kept next to water facilities in 52% schools**
- **For completion of construction SMCs took 28 days as opposed to 7 to 10 months by contractors**

**NUMBER OF LATRINES CONSTRUCTED UNDER SCHOOL
SANITATION PROGRAMME**

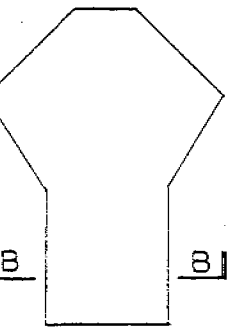
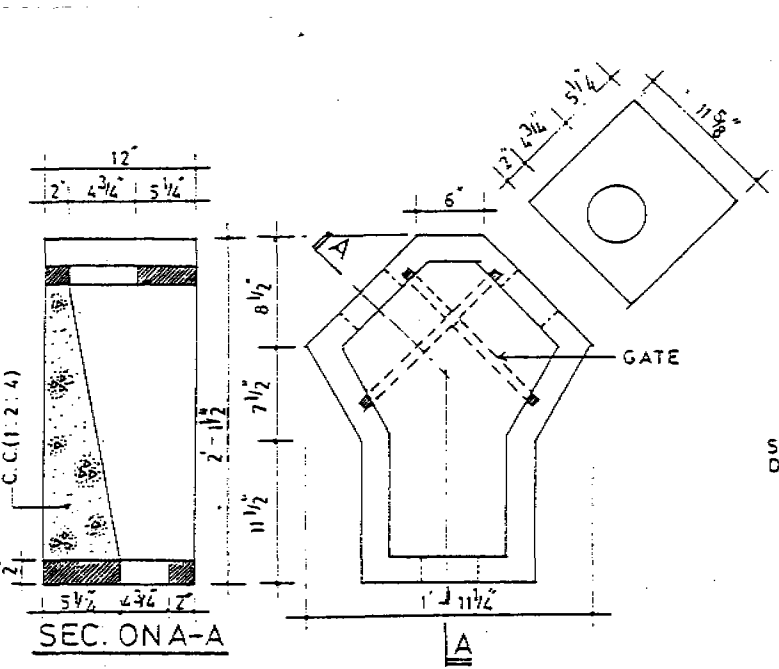
SL #	District	Phase I 1992-93	Phase II 1993-94	Phase III 1994-95	Phase IV 1995-96	1996-97 ADP	1997-98 ADP	Total
1	Barisal	158	-	-	-	-	-	158
2	Patuakhli	31	-	25	-	40	*78	174
3	Bhola	-	42	-	-	-	-	42
4	Pirojpur	-	42	-	-	-	-	42
5	Jhalokathi	-	-	34	62	-	-	96
6	B. Baria	55	6	-	-	-	-	61
7	Chittagong	110	-	-	-	-	-	110
8	Comilla	53	-	73	-	-	-	126
9	Feni	19	-	-	-	-	-	19
10	Laxmipur	-	42	-	-	-	-	42
11	Chandpur	-	-	36	-	-	-	36
12	Noakhali	-	-	21	120	110	*334	585
13	Maulvibazar	-	-	5	112	-	-	117
14	Sunamgonj	-	-	-	-	100	-	100
15	Dhaka	27	-	-	-	-	-	27
16	Jamalpur	-	42	35	-	-	-	77
17	Mymensing	89	-	-	-	250	*75	414
18	Shariatpur	47	-	-	-	-	-	47
19	Tangail	35	-	-	-	-	-	35
20	Narshingdi	-	42	35	-	-	-	77
21	Gazipur	-	-	-	78	-	-	78
22	Faridpur	-	-	-	32	95	-	127

SL #	District	Phase I 92-93	Phase II 93-94	Phase III 94-95	Phase IV 95-96	1996-97 ADP	1997-98 ADP	Total
23	Kishoregonj	-	-	-	66	-	-	66
24	Munshigonj	-	-	-	33	-	-	33
25	Sherpur	-	-	-	40	-	-	40
26	Bagerhat	-	26	-	-	-	-	26
27	Chuadanga	-	14	-	-	-	-	14
28	Khulna	70	58	-	-	-	-	128
29	Kushtia	56	-	-	-	-	-	56
30	Magura	-	-	38	-	-	-	38
31	Narail	-	-	-	79	-	-	79
32	Satkhira	-	-	69	-	-	-	69
33	Jhenaidaha	-	-	-	-	200	*37	237
34	Bogra	56	-	26	-	-	-	82
35	Dinajpur	-	-	-	207	101	*50	358
36	Gaibandha	-	42	8	-	-	-	50
37	Natore	84	-	-	-	-	-	84
38	Nilphamari	80	-	-	-	-	-	80
39	Pabna	-	42	-	-	-	-	42
40	Rangpur	-	-	27	-	-	-	27
41	Sirajgonj	113	-	49	-	-	-	162
42	Thakurgaon	-	-	34	-	-	-	34
43	Bandarban	-	-	-	-	-	*15	15
44	Rangamati	-	-	-	-	-	*10	10
	TOTAL	1,083	398	515	829	896	*599 On going	4,320

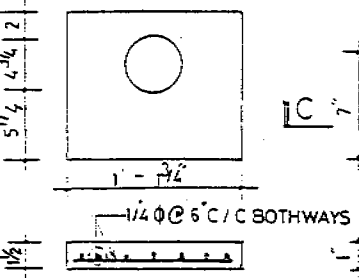
Prepared by : Shirin Hussain, 30.09.97.



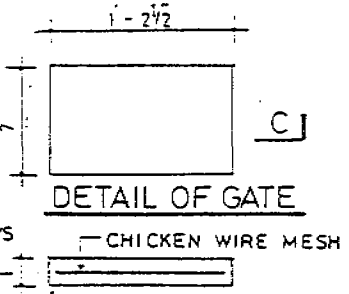
GOB - UNICEF	DETAILS OF LATRINE	DESIGNER : M. J. Kabir	APPROVED
SANITATION IN PRIMARY SCHOOL		DRAWN BY :	Jan
		DATE	



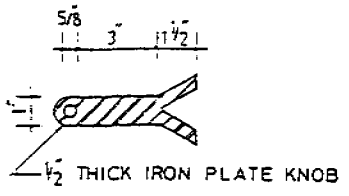
CEMENT CONCRETE COVER



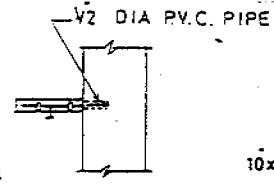
SEC.ON B-B



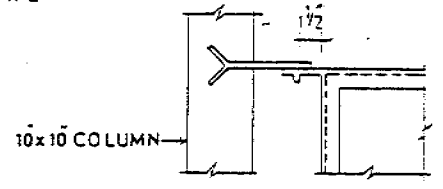
SEC.ON C-C



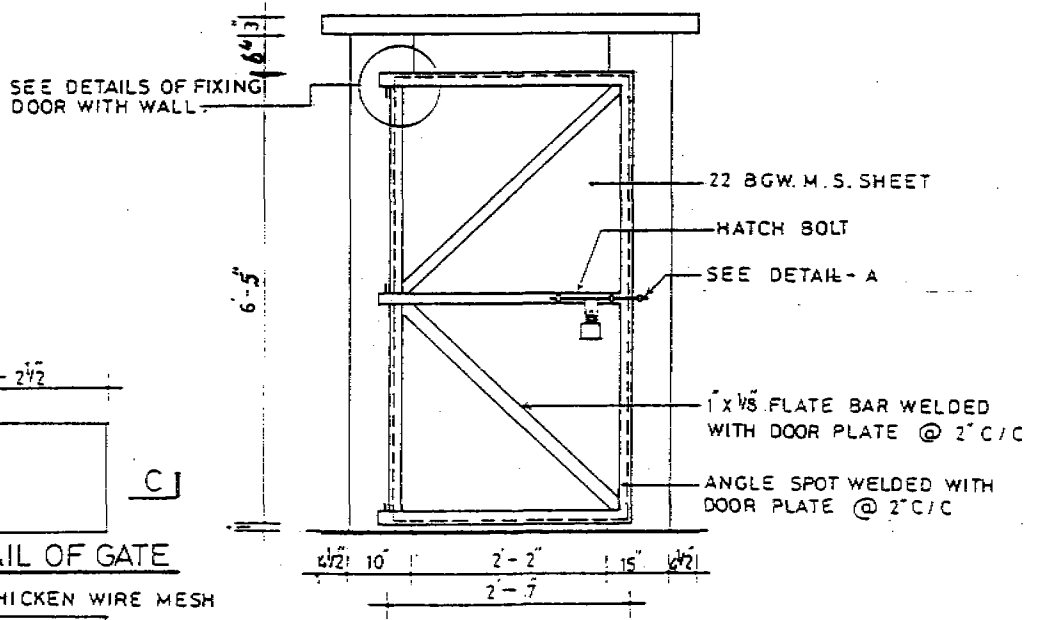
DETAIL-A



INSIDE LOCKING



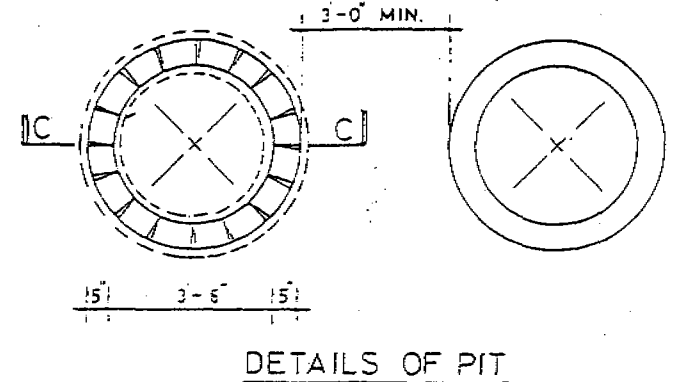
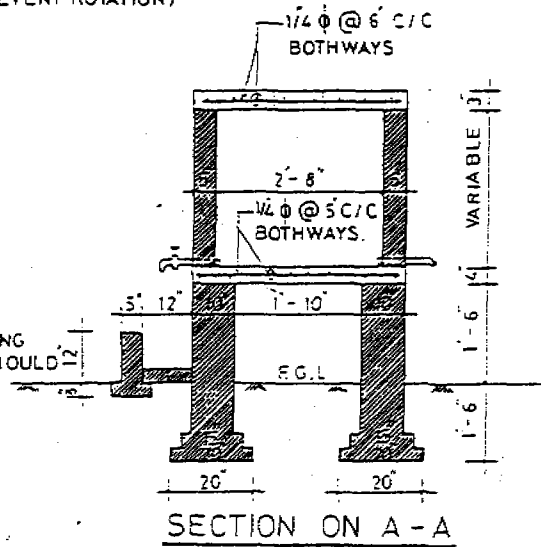
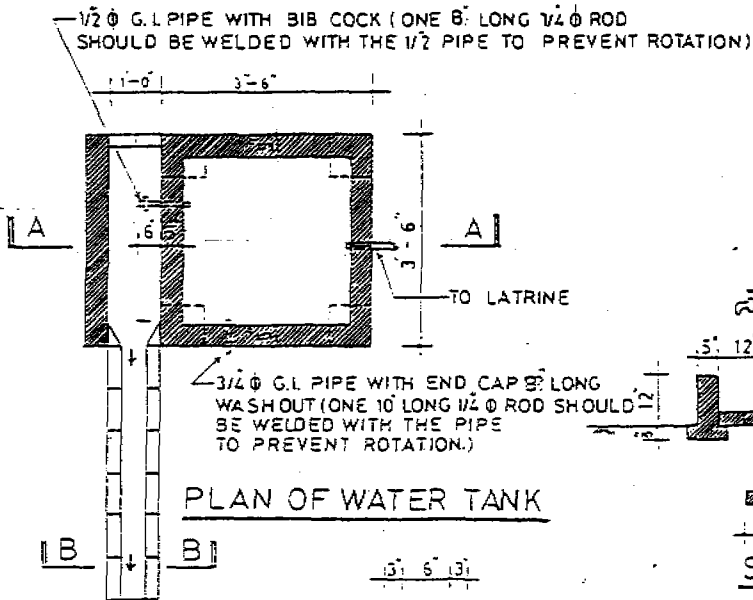
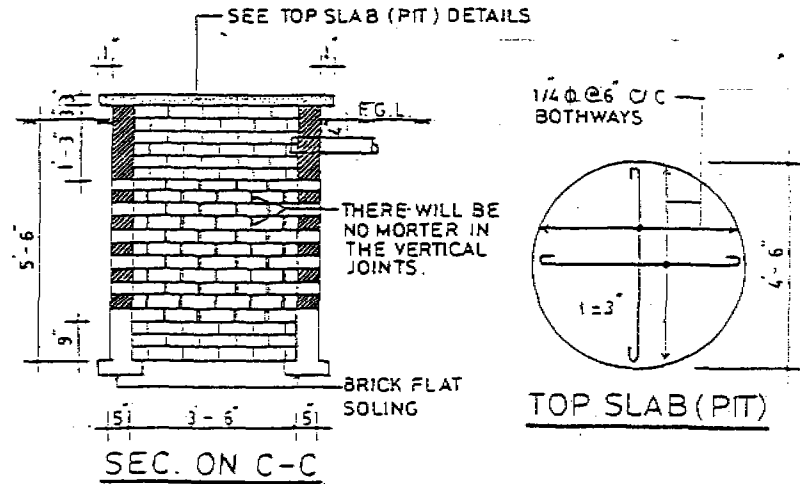
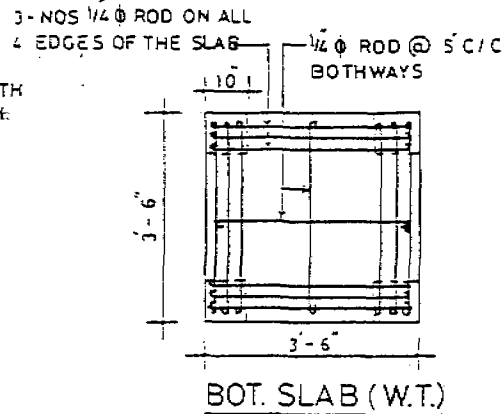
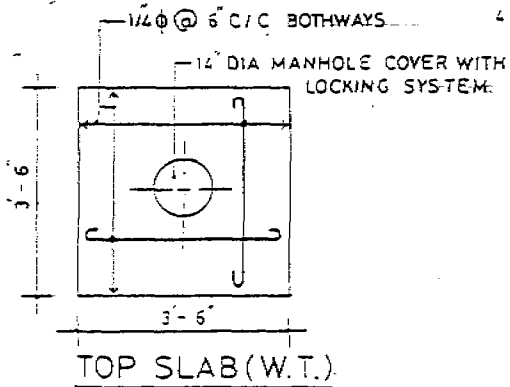
DETAILS OF FIXING DOOR WITH WALL



DETAILS OF SCHOOL TOILET DOOR

'Y'- JUNCTION DETAIL

GOB - UNICEF	DETAILS OF TOILET DOOR AND JUNCTION	DESIGNER : M.J. Kabir	APPROVED
SANITATION IN PRIMARY SCHOOL		DRAWN BY :	<i>[Signature]</i>
		DATE	DRGNO. 2



GOB-UNICEF

SANITATION IN PRIMARY SCHOOL

DETAILS OF SOAK
PIT AND WATER
TANK.

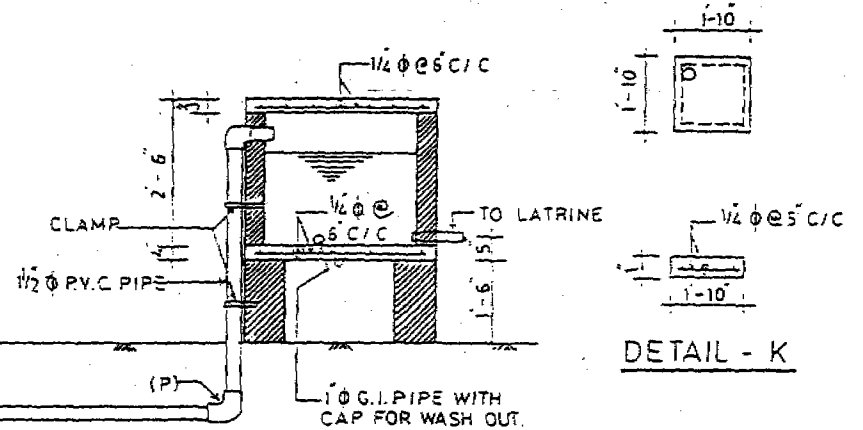
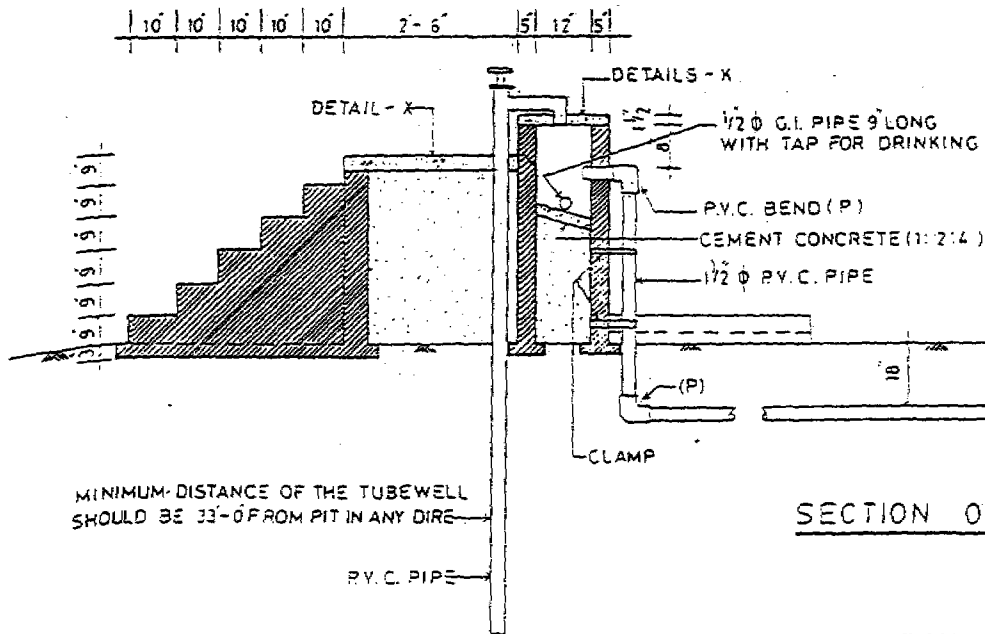
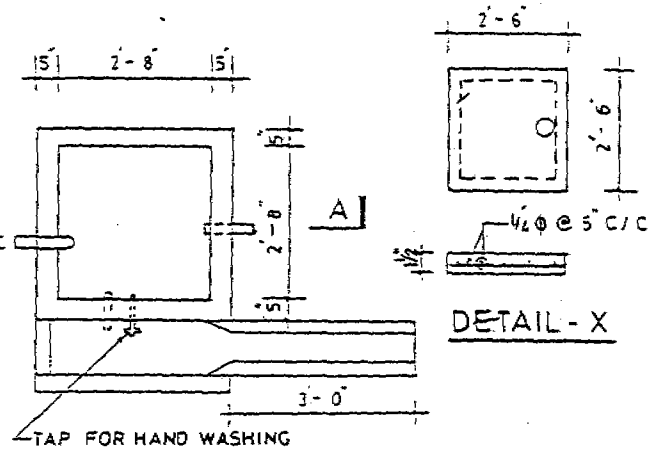
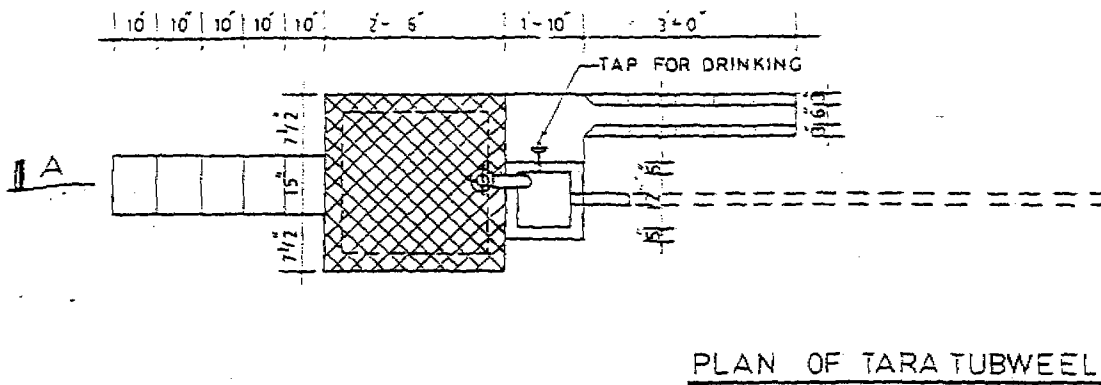
DESIGNER : MJ Kabir

DRAWN BY :

DATE : DRG.NO. 3

APPROVED

[Signature]



GOB - UNICEF	GOVERNMENT OF WEST BENGAL DEPARTMENT OF SANITATION TARA TUBWELL	DESIGNER : M. J. K. G. B. I. R.	APPROVED
SANITATION IN PRIMARY SCHOOL		DRAWN BY :	
		DATE	